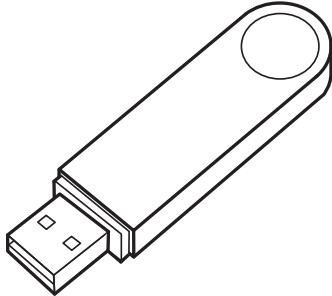


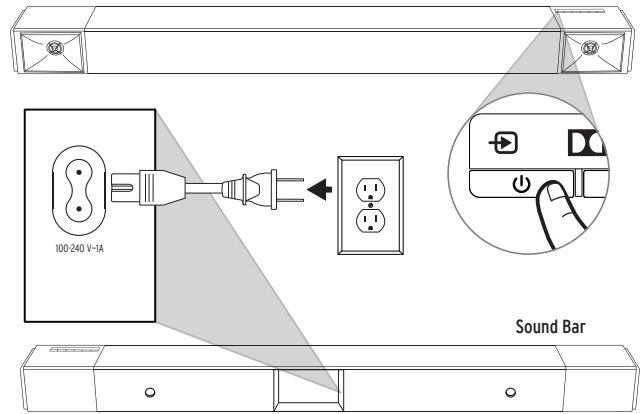
Klipsch® BAR 40

FIRMWARE UPDATE INSTRUCTIONS

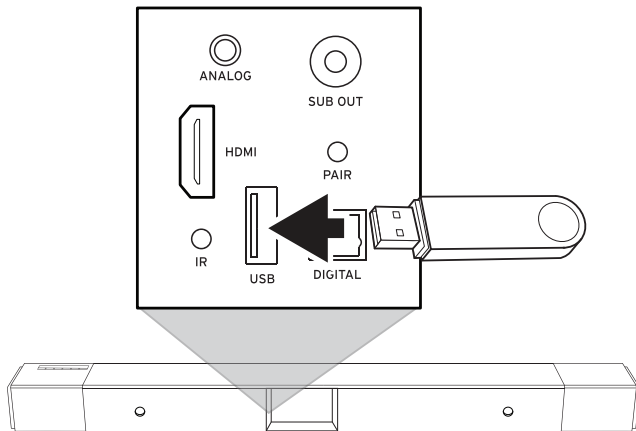
- 1 Download the update file from Klipsch.com/firmware to an empty USB Flash Drive (FAT32 format).



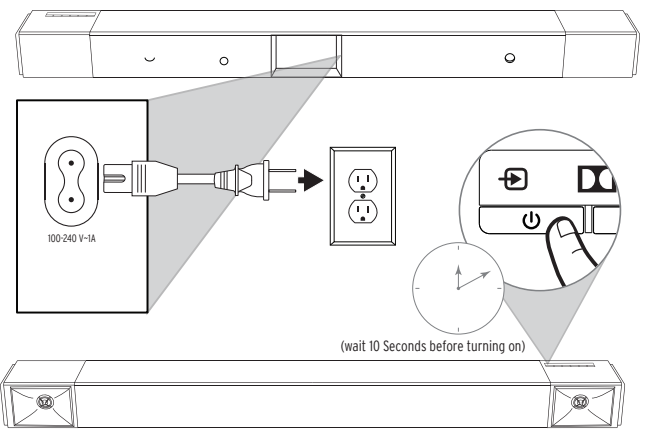
- 2 Turn the Power Switch "OFF" and unplug the Power Cord.



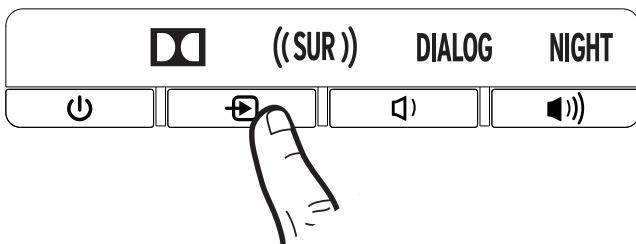
- 3 Insert the USB Flash Drive into the USB port on the back panel of your Sound Bar.



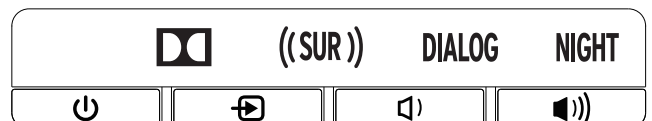
- 4 Plug the Power Cord back into your soundbar and wait 10 seconds before turning it back on.



- 5 Cycle through the modes by pressing the source button until the source LED turns off and the **DOLBY > SUR > DIALOG > NIGHT** mode LED's light up.



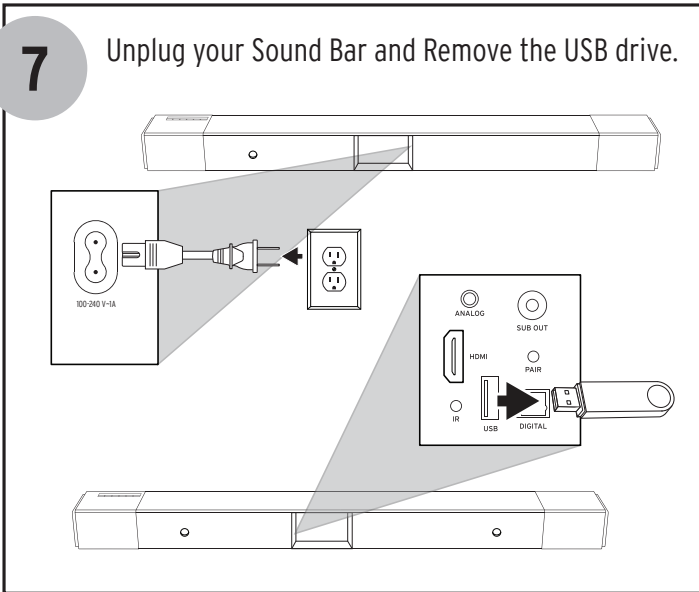
- 6 The 4 indicator LED lights will stay on for 10 – 20 seconds. Once the update is complete the 4 LED indicator lights will start flashing.



Klipsch BAR 40

FIRMWARE UPDATE INSTRUCTIONS

7 Unplug your Sound Bar and Remove the USB drive.



8 Plug your Sound Bar back in. The update is complete. Turn on and enjoy.

