

6

5

4

3


2

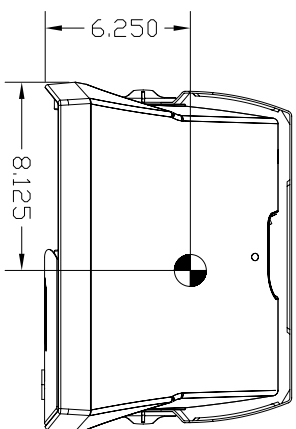
1

PAGE NO.

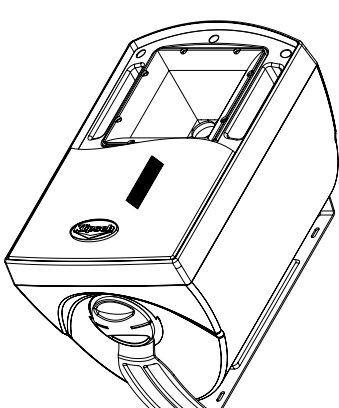
REV

REVISIONS		DATE	APPROVED
REV	DESCRIPTION		

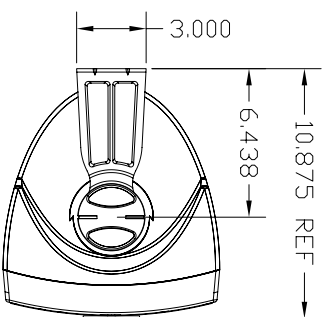
 THIS SYMBOL REPRESENTS THE CENTER OF GRAVITY



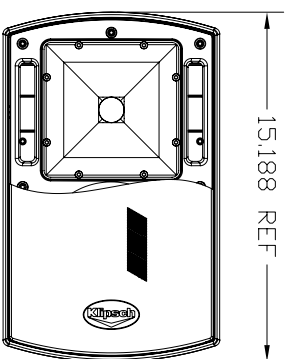
TOP VIEW



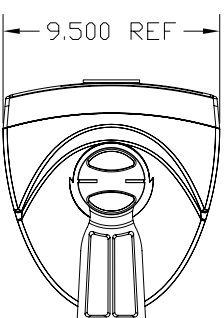
ISOMETRIC VIEW



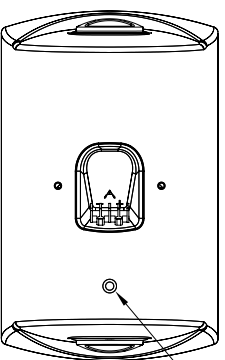
SIDE VIEW



FRONT VIEW

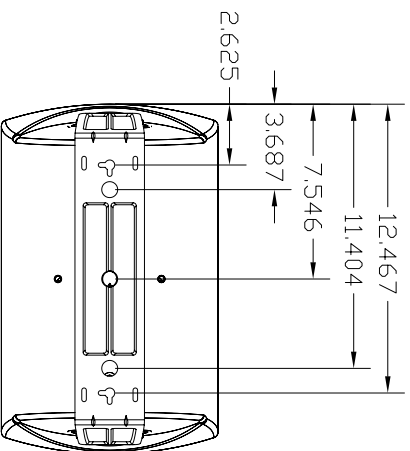


SIDE VIEW



BACK VIEW WITHOUT BRACKET

 3/8 - 16 UNC
 THREADED INSERT



BACK VIEW

THE INFORMATION IN THIS DOCUMENT IS THE PROPERTY OF KLIPSCH LLC. NO PART OF THIS DOCUMENT IS TO BE REPRODUCED OR TRANSMITTED IN ANY FORM OR BY ANY MEANS, ELECTRONIC OR MECHANICAL, INCLUDING PHOTOCOPYING, RECORDING, OR BY ANY INFORMATION STORAGE AND RETRIEVAL SYSTEM, WITHOUT THE WRITTEN CONSENT OF KLIPSCH LLC.

WHERE USED	MATERIAL SPECIFICATIONS

TOLERANCES	DO NOT SCALE	APPROVALS	DATE	TITLE
UNLESS OTHERWISE SPECIFIED		DRAWN BY: CDW	05/02/02	CA-650 ASSEMBLY 2D
DECIMAL: ± .02		CHECKED BY: [blank]		
FRACTION: ± 1/64		ENGINEER: [blank]		
ANGLE: ± 1°		DATE: [blank]		
FINISH: 32/ (0.8)				

