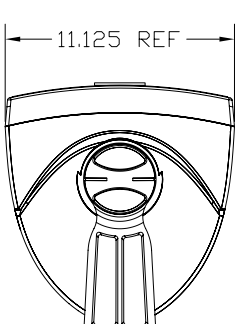
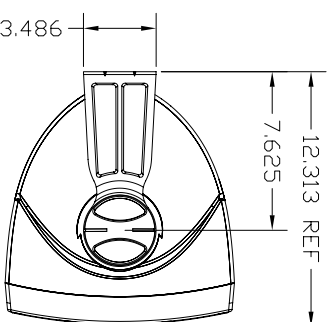
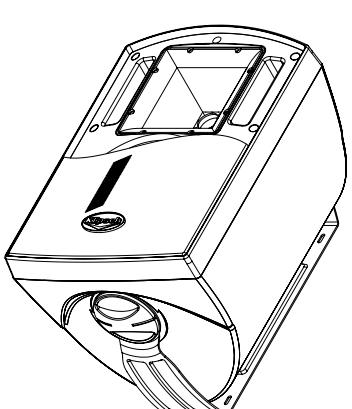
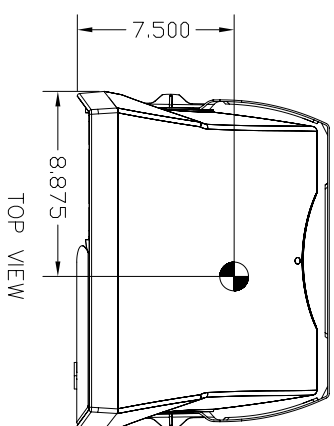


REV.	EQ. NO.	DESCRIPTION	DATE	APPROVED

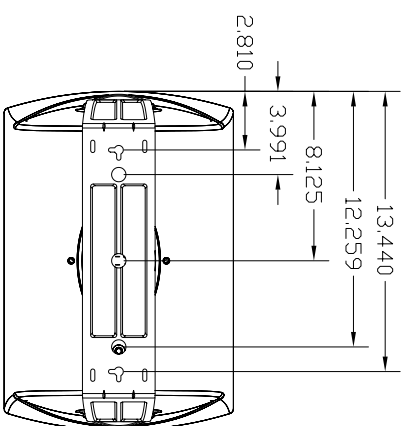
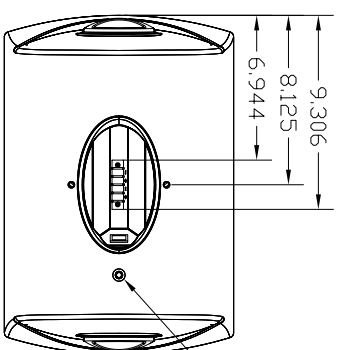
● THIS SYMBOL REPRESENTS THE CENTER OF GRAVITY



SIDE VIEW

FRONT VIEW

SIDE VIEW



BACK VIEW

<p>Klipsch AUDIO TECHNOLOGIES 137 COUNTY ROAD 278 MDF, ARKANSAS 71601</p>		<p>CA - 800 ASSEMBLY 2D</p>	
<p>DATE: 05/02/02</p>		<p>TITLE: ASSEMBLY 2D</p>	
<p>SCALE: DIM INCH (METRIC)</p>		<p>SHEET: OF</p>	
<p>WHERE USED</p>		<p>APPROVALS</p>	
<p>DATE: 05/02/02</p>		<p>DATE: 05/02/02</p>	
<p>DESIGNED BY: [Signature]</p>		<p>CHECKED BY: [Signature]</p>	
<p>DRAWN BY: [Signature]</p>		<p>ENGINEER: [Signature]</p>	
<p>FINISH: 32 / (0.8) /</p>		<p>MFG ENG: [Signature]</p>	
<p>ANGLE: ± 1 / 64</p>		<p>CDW: [Signature]</p>	
<p>FRACTION: ± 0.02</p>		<p>DATE: 05/02/02</p>	
<p>DECIMAL: ± 0.005</p>		<p>DATE: 05/02/02</p>	
<p>DATE: 05/02/02</p>		<p>DATE: 05/02/02</p>	

THE INFORMATION IN THIS DOCUMENT IS THE PROPERTY OF KLIPSCH LLC. NO PART OF THIS DOCUMENT IS TO BE REPRODUCED OR TRANSMITTED IN ANY FORM OR BY ANY MEANS, ELECTRONIC OR MECHANICAL, INCLUDING PHOTOCOPYING, RECORDING, OR BY ANY INFORMATION STORAGE AND RETRIEVAL SYSTEM, WITHOUT THE WRITTEN CONSENT OF KLIPSCH LLC.