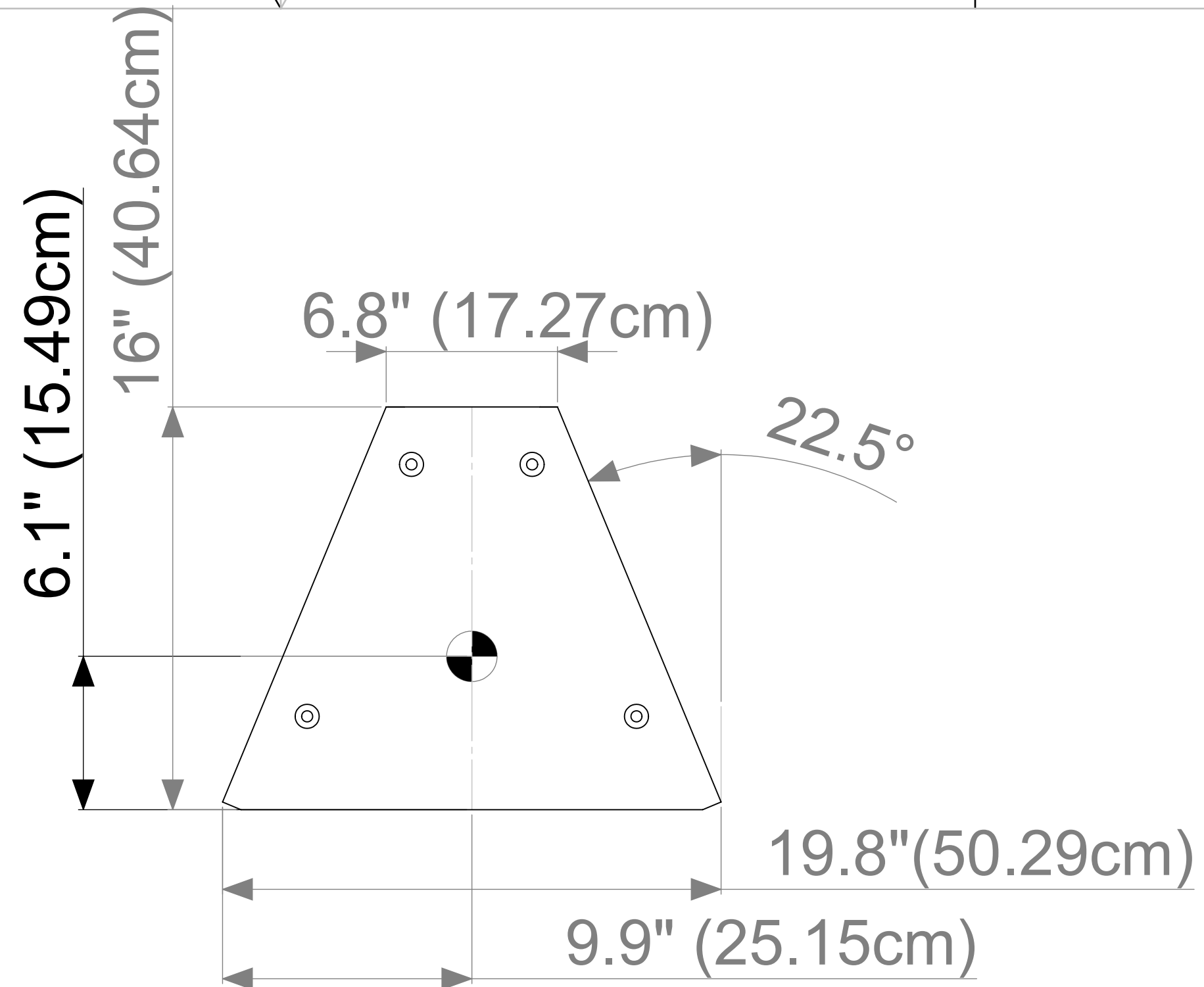
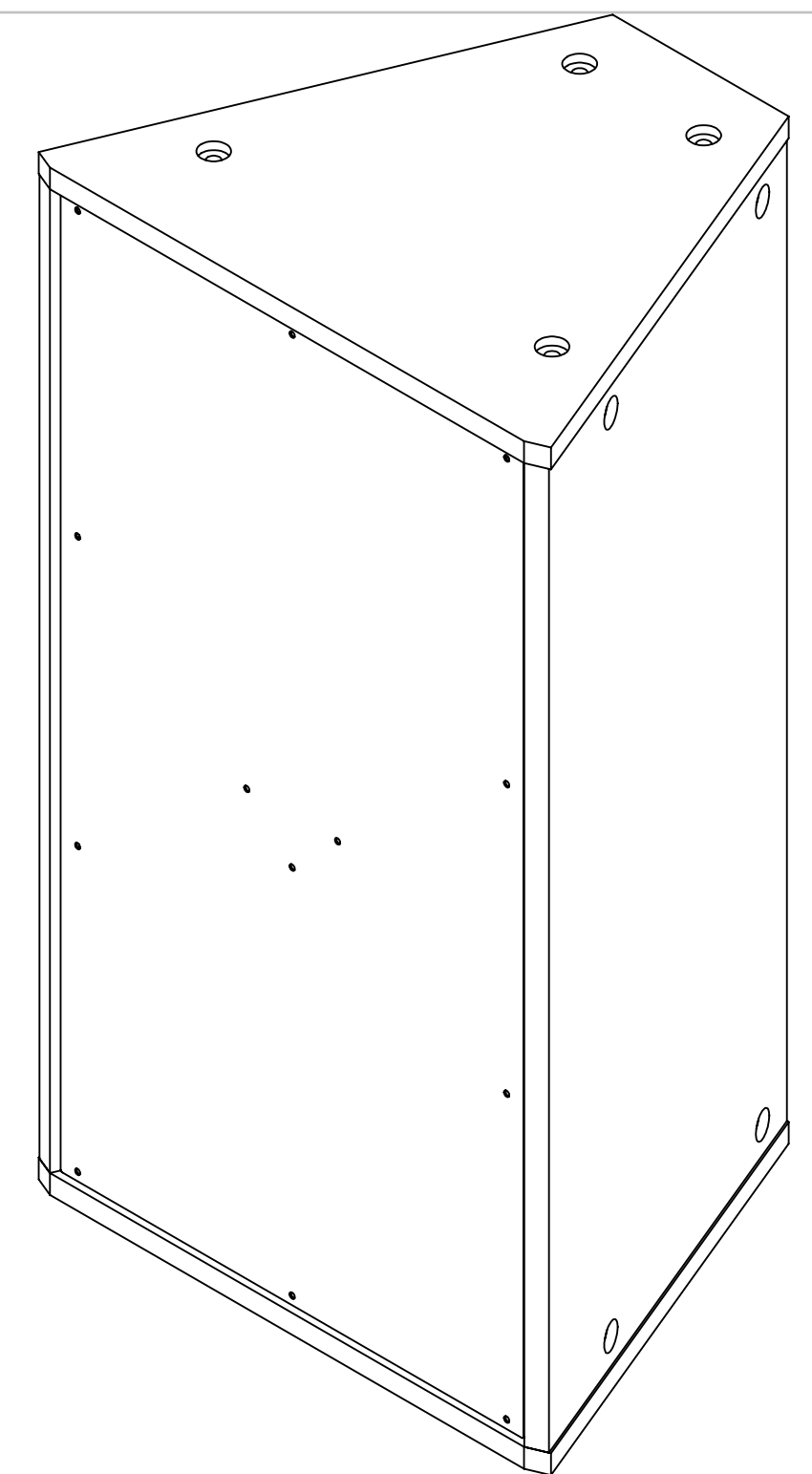
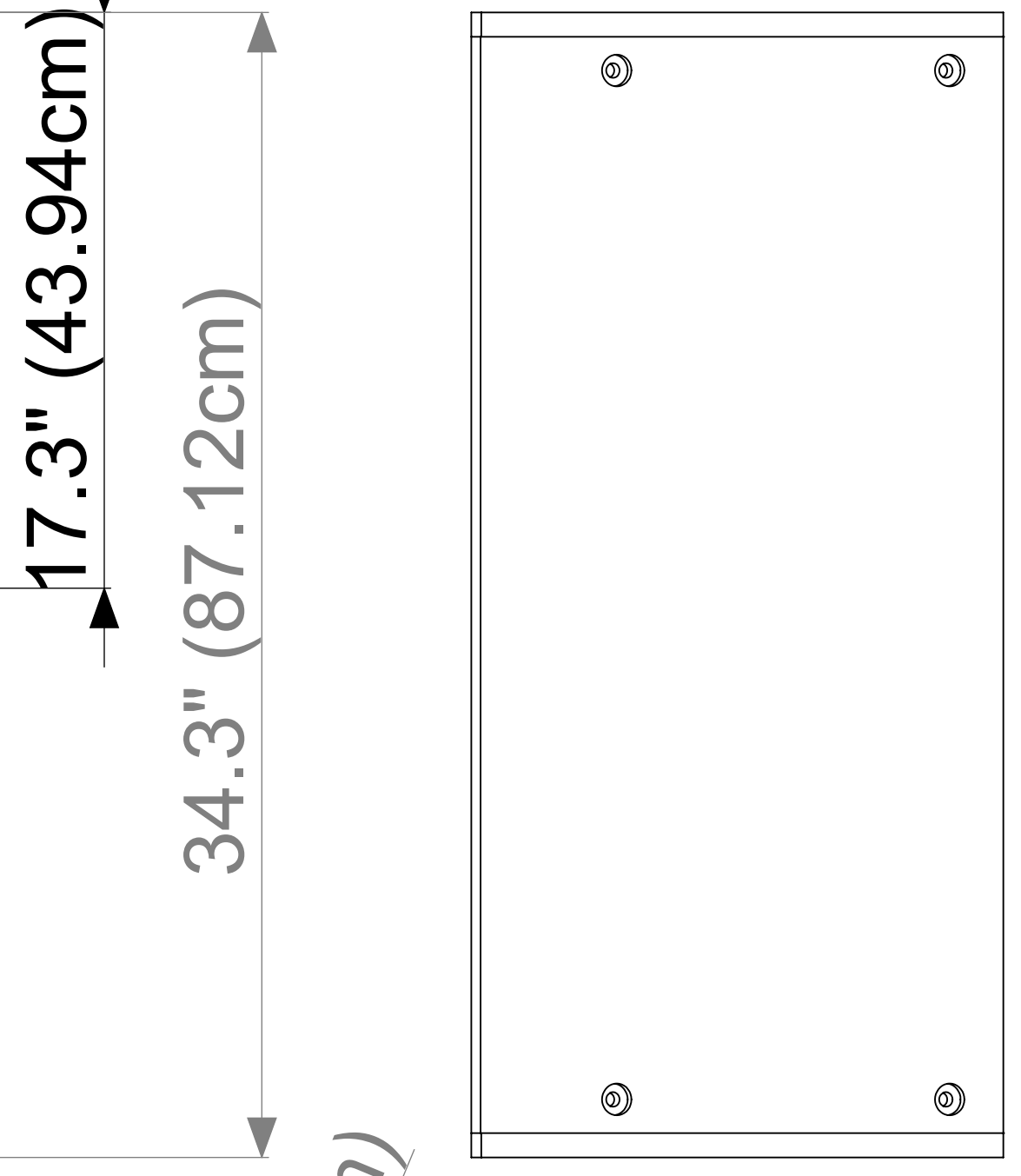
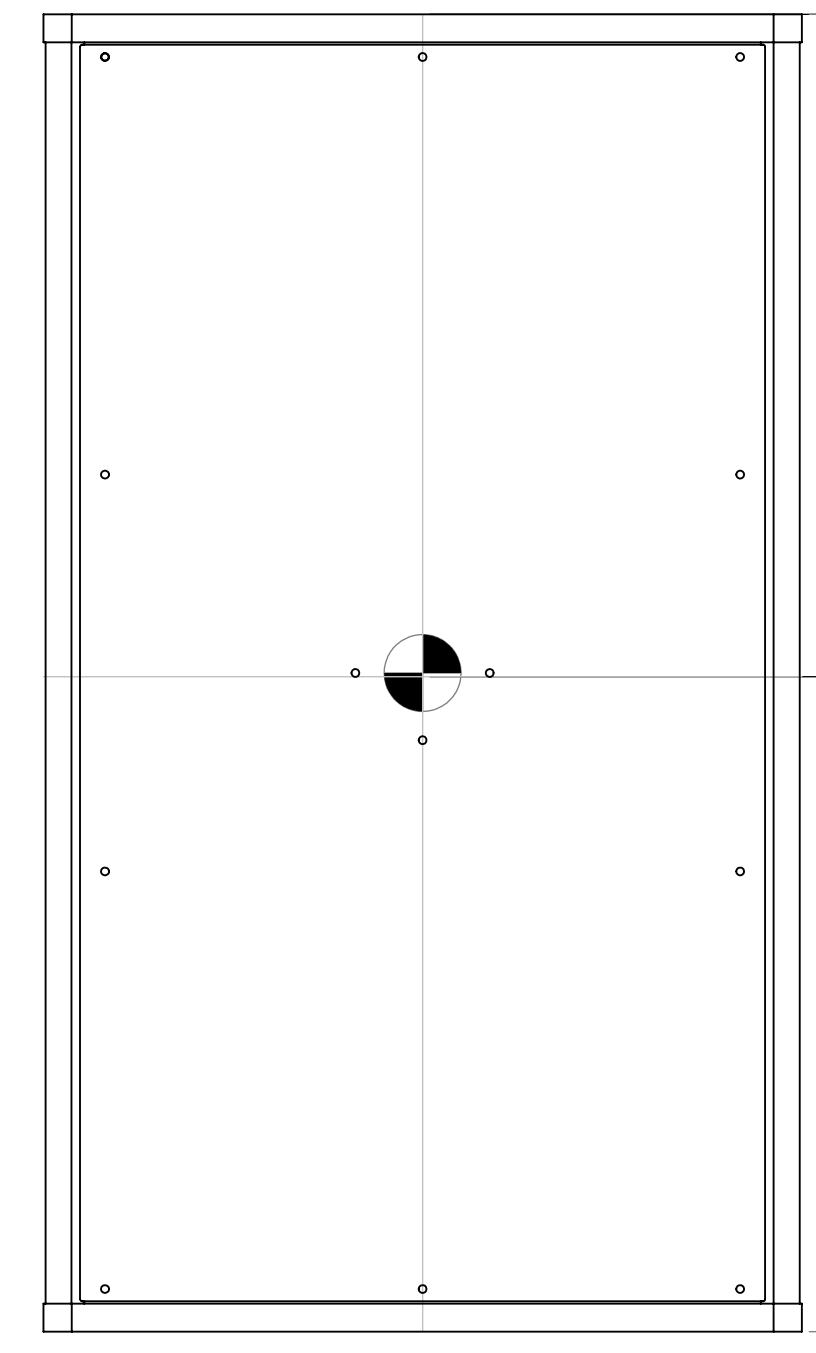
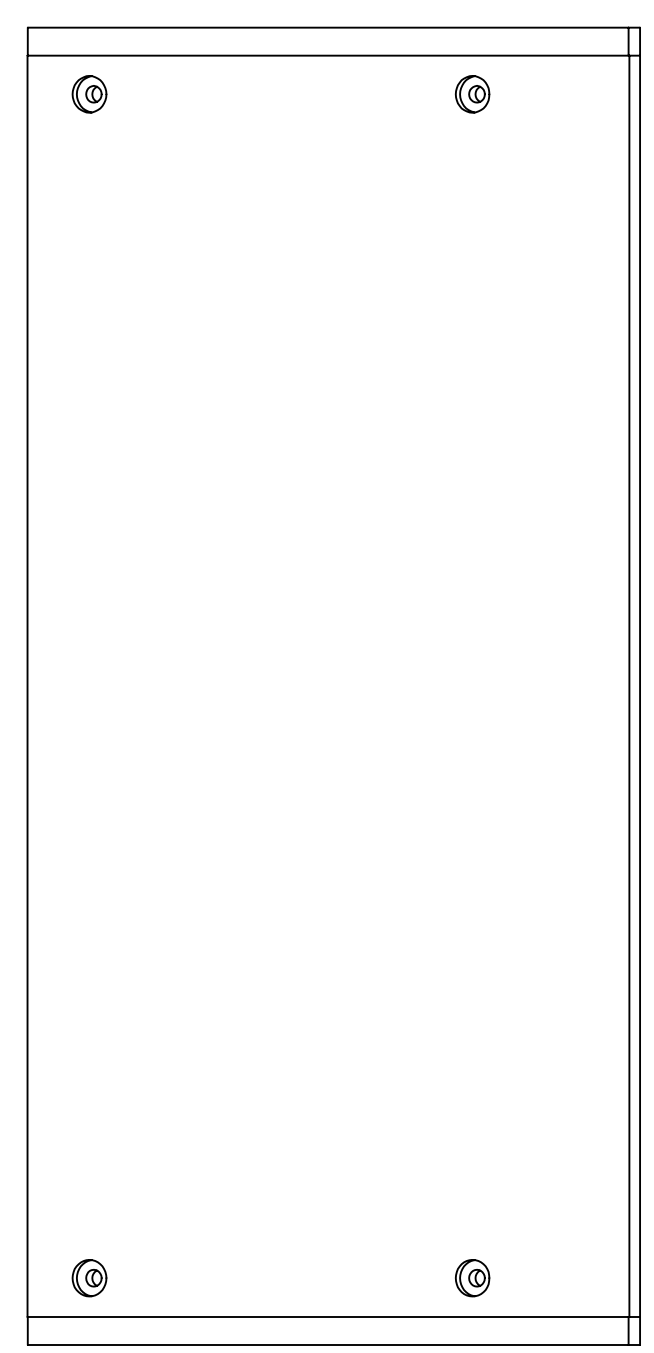
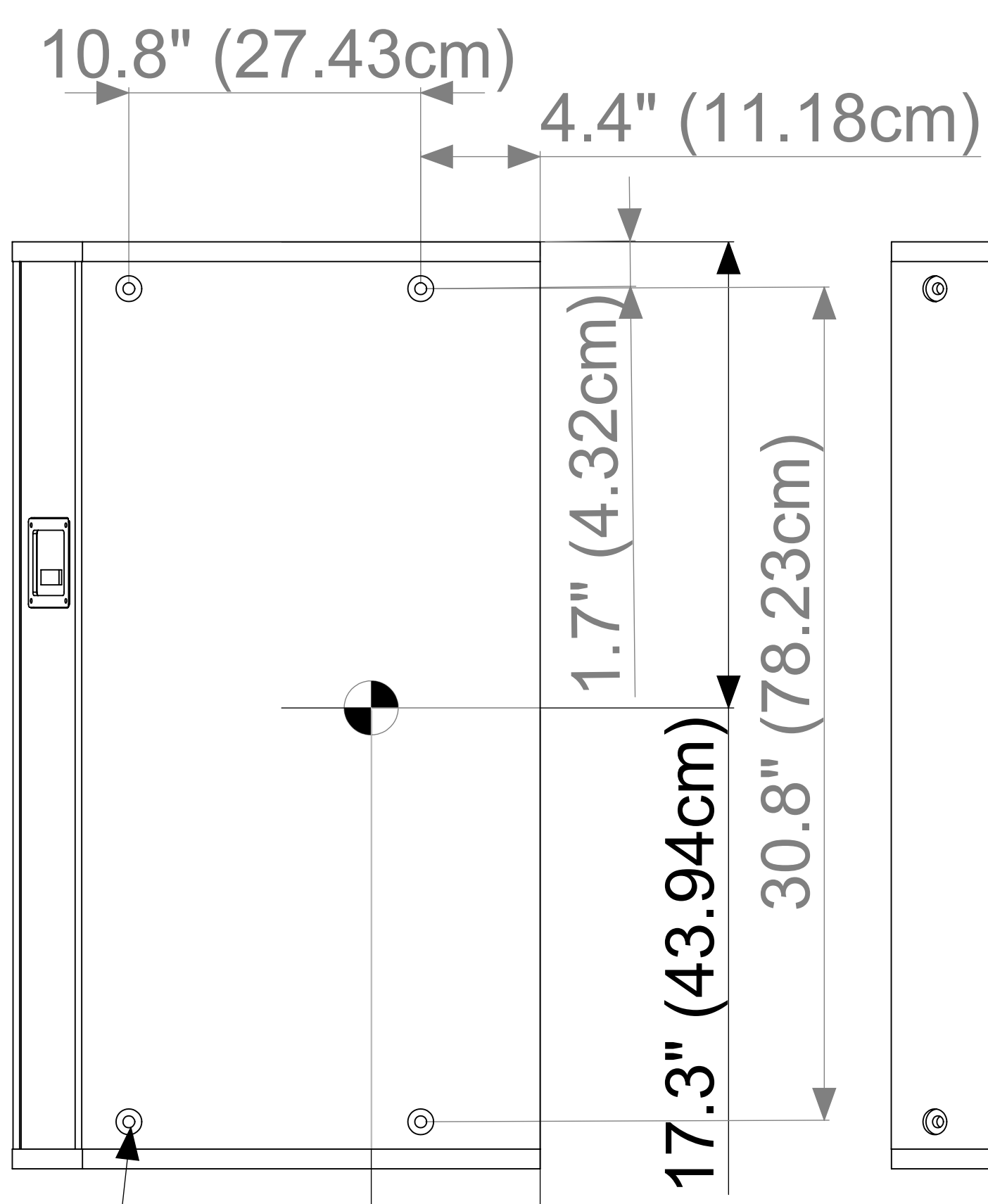
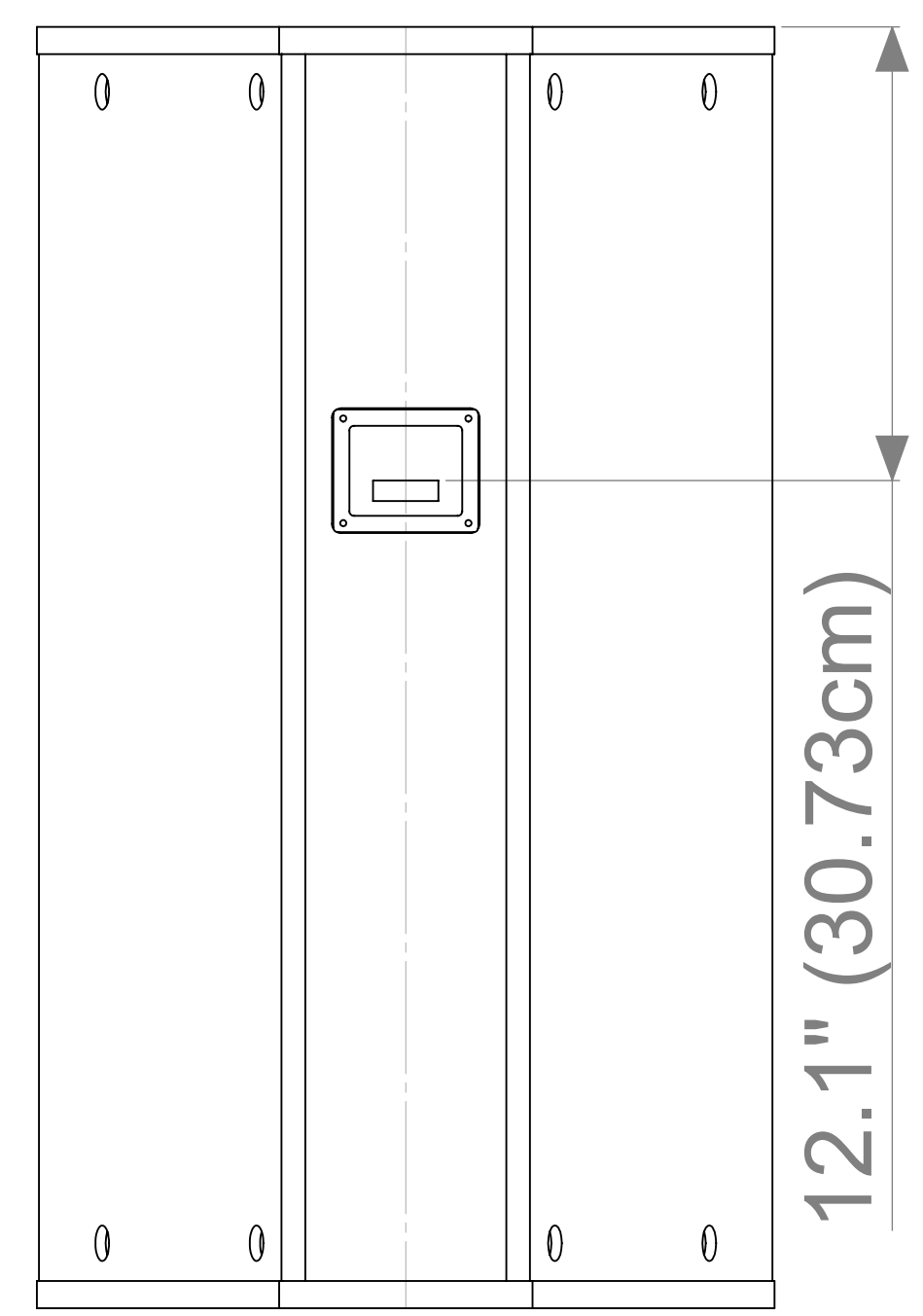


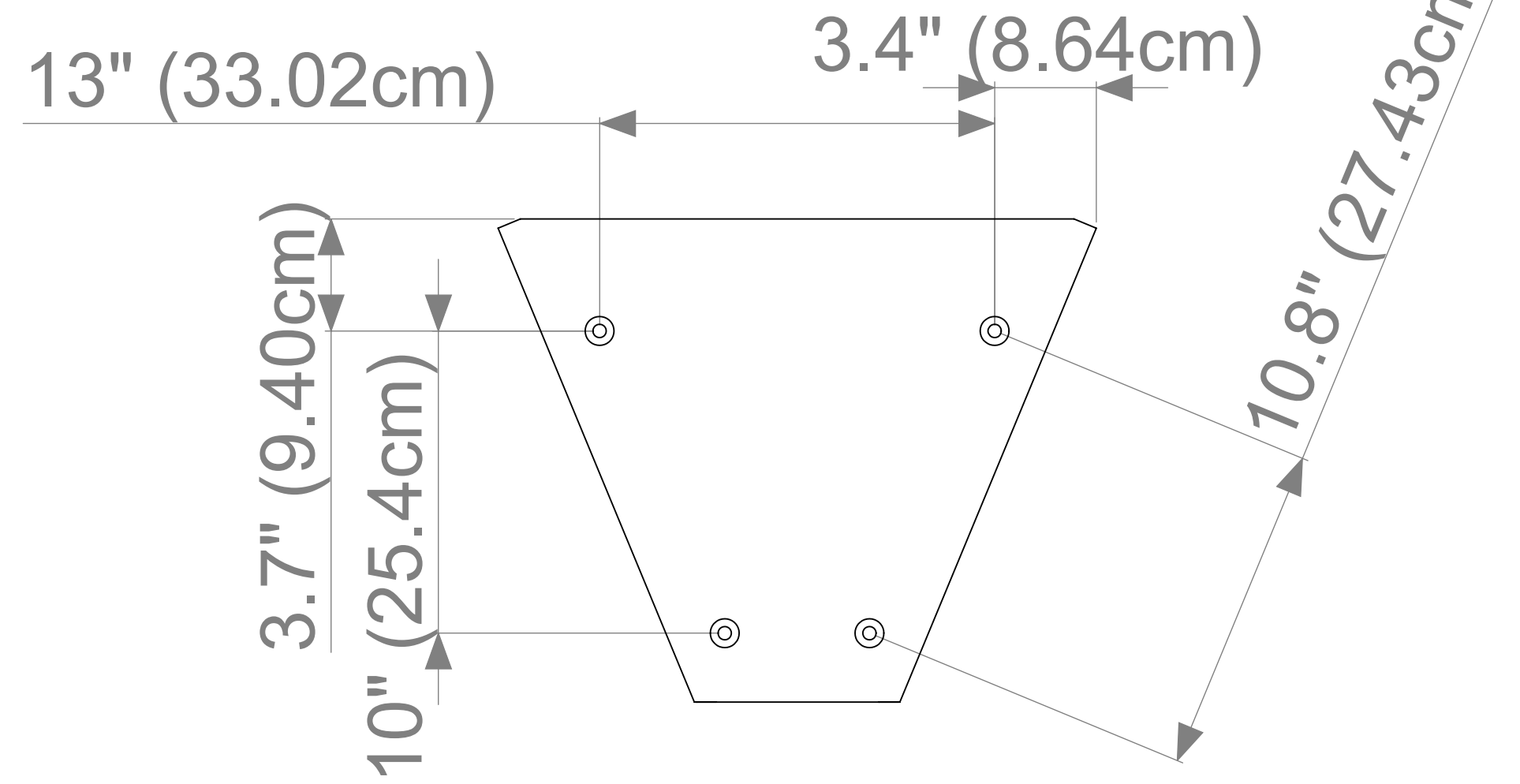
REVISIONS				
REV.	ECO NO.	DESCRIPTION	DATE	APPROVED
A		RELEASED	08052015	RDJ



● = CENTER OF GRAVITY



3/8"-16 THREADED HOLE 16 PLCS
USE FOR SUSPENDING



THE INFORMATION IN THIS DOCUMENT IS THE PROPERTY OF KLIPSCH L.L.C. AND CONTAINS PROPRIETARY AND CONFIDENTIAL INFORMATION. THIS DOCUMENT IS GIVEN FOR THE PURPOSE OF QUOTATION OR PROCUREMENT AND THE INFORMATION CONTAINED HEREIN SHALL NOT BE DISCLOSED TO OTHERS, OR BE DUPLICATED FOR ANY OTHER PURPOSE WITHOUT THE EXPRESS WRITTEN CONSENT OF KLIPSCH L.L.C.

TOLERANCES UNLESS OTHERWISE SPECIFIED		DO NOT SCALE	
DECIMAL	.XXX ± .020	APPROVALS	
FRACTION	± 1/64	SIGNATURES	DATE
ANGLE	± 1°	ORIGINATOR:	
FINISH		CHECKER:	
		ENGINEER:	RDJ 08052015
		MFG ENG:	
		REVISED BY:	
32	[0.8]	TITLE: KI-215-SMA-II ARCH DRAWING	
		DWG. NO. D105043	
		DIM: INCH (METRIC) SCALE: N/A SHEET: 1 OF 1	



D105043 A