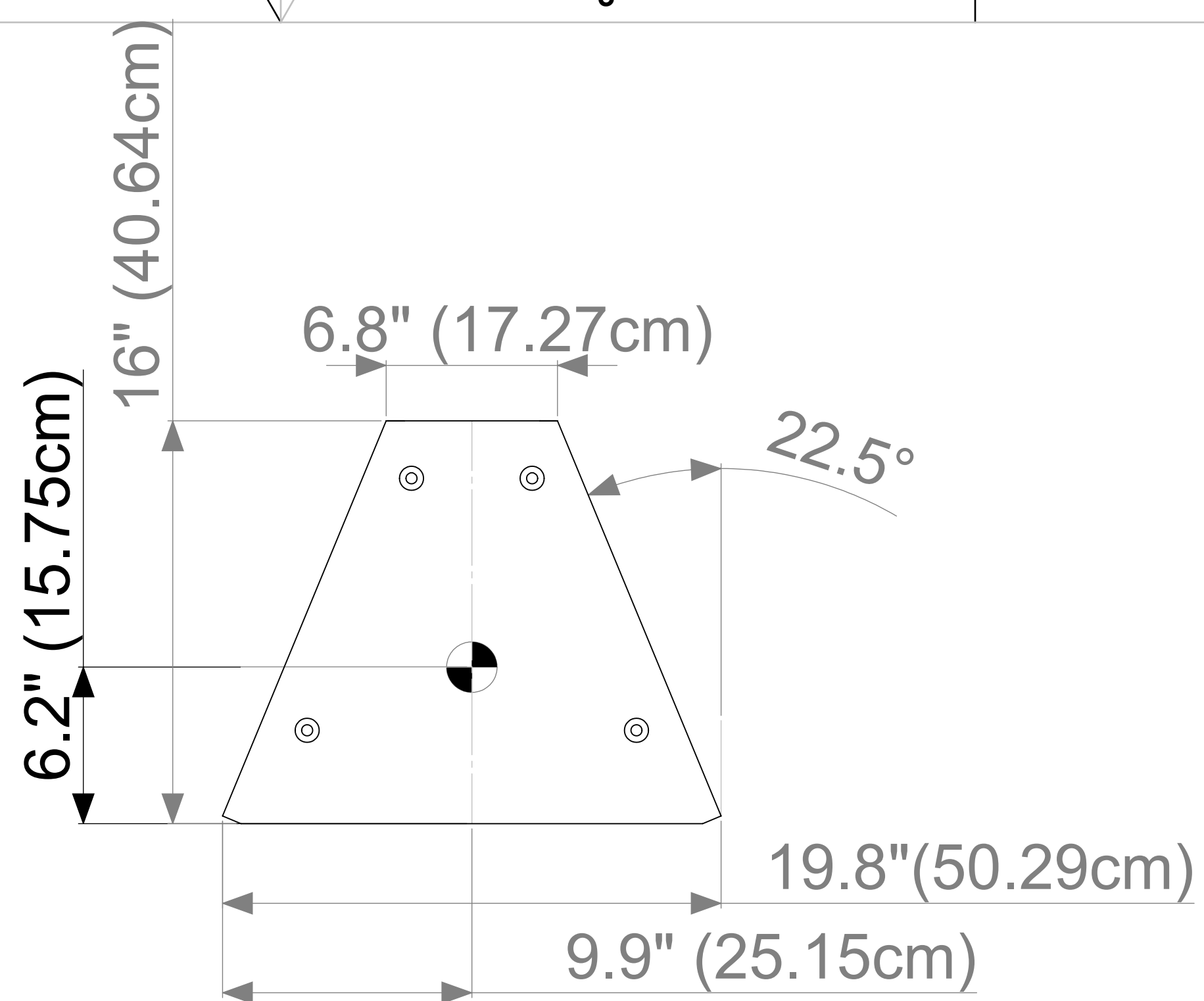
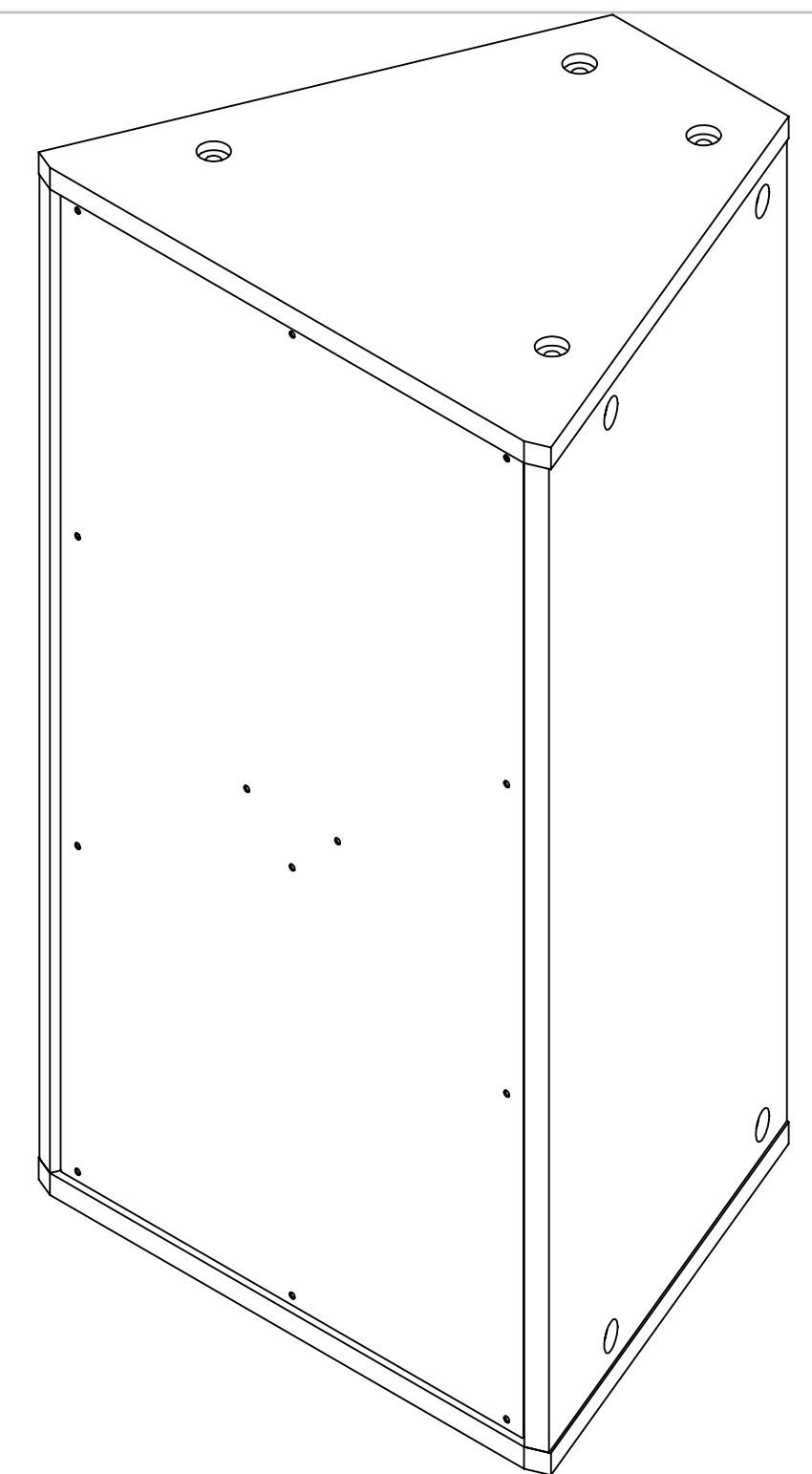
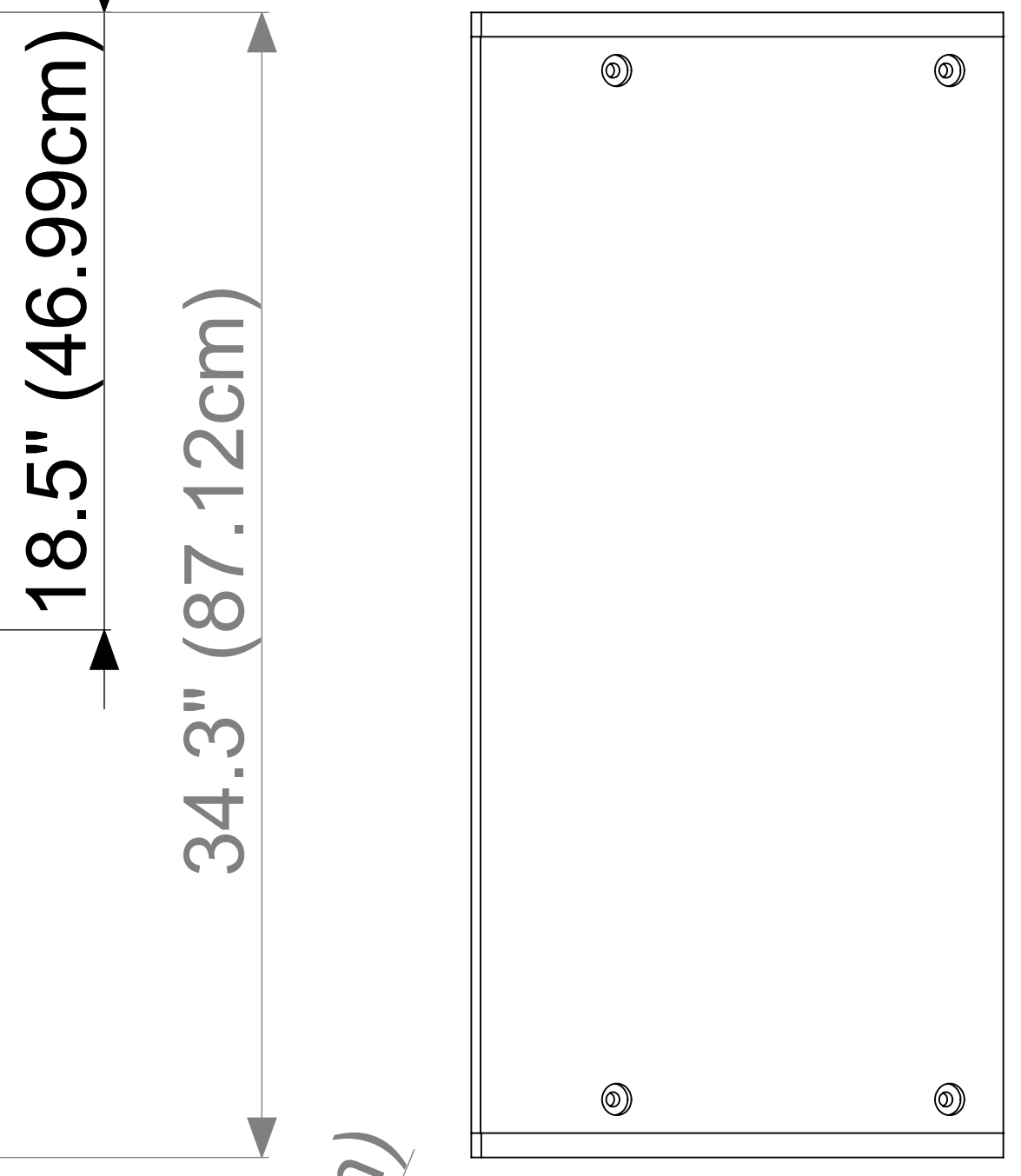
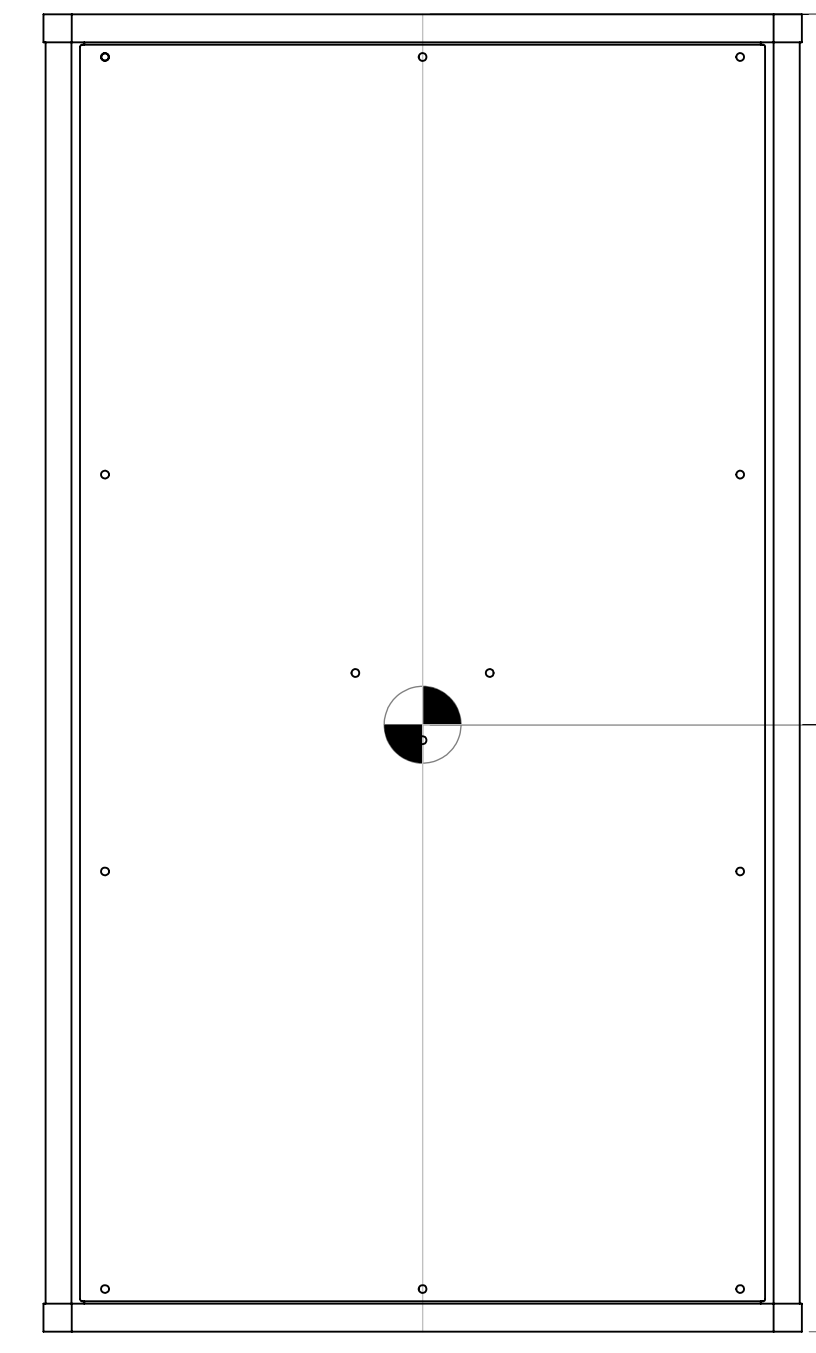
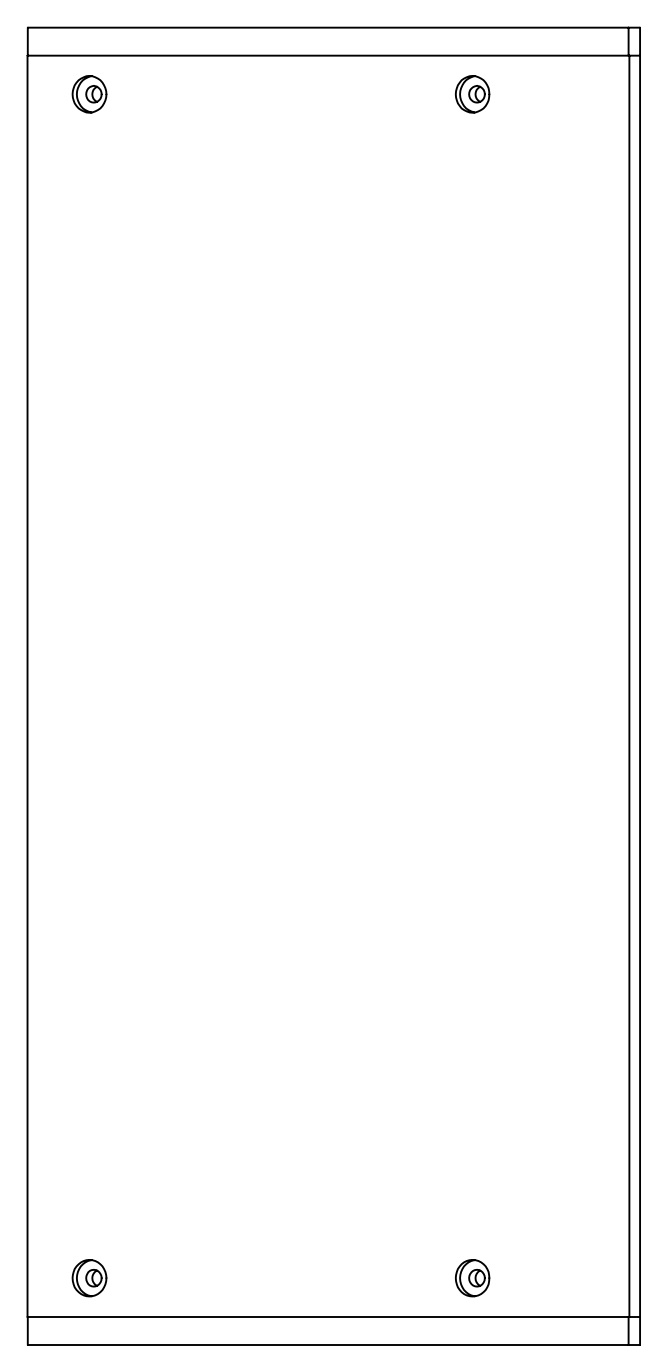
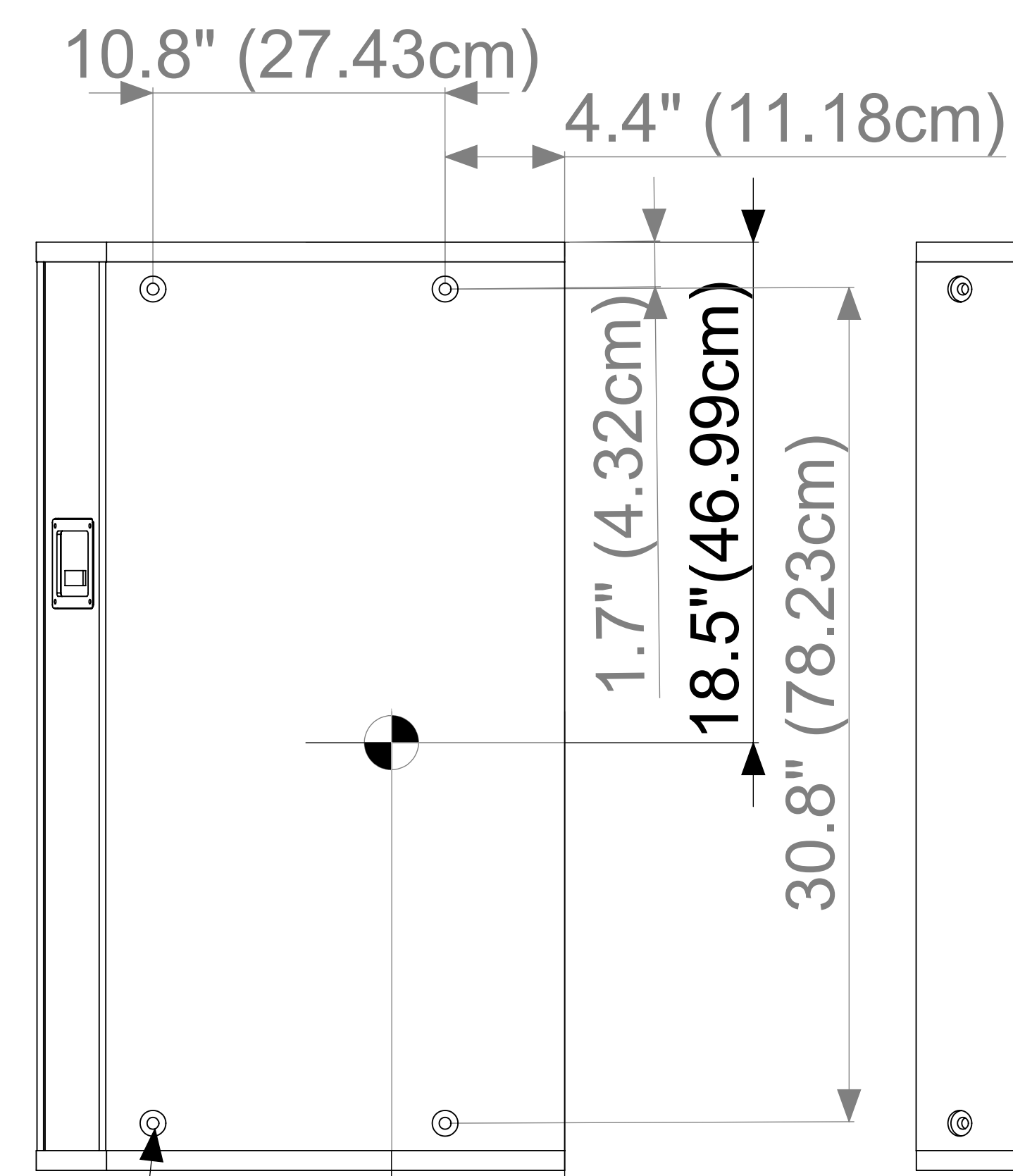
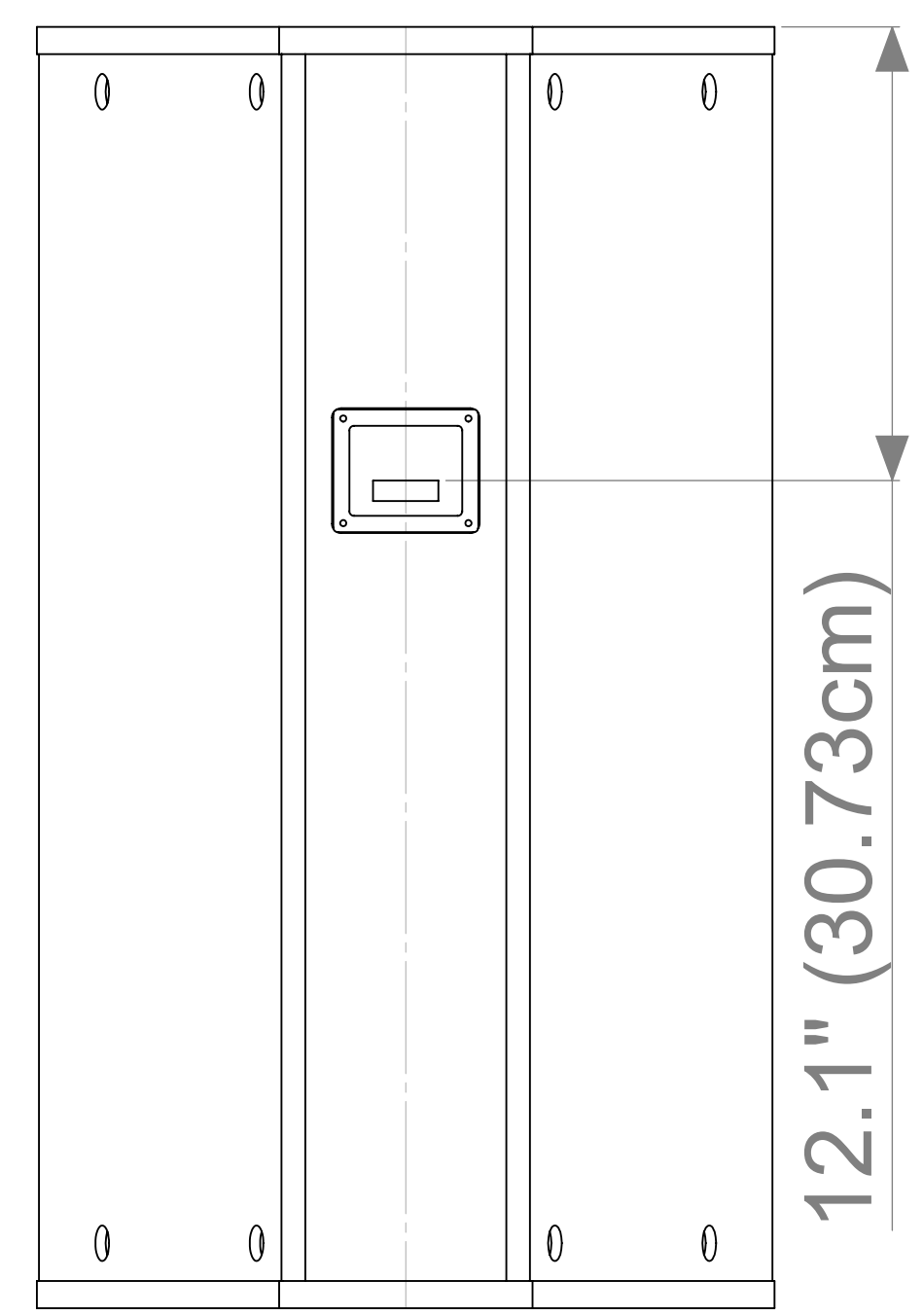


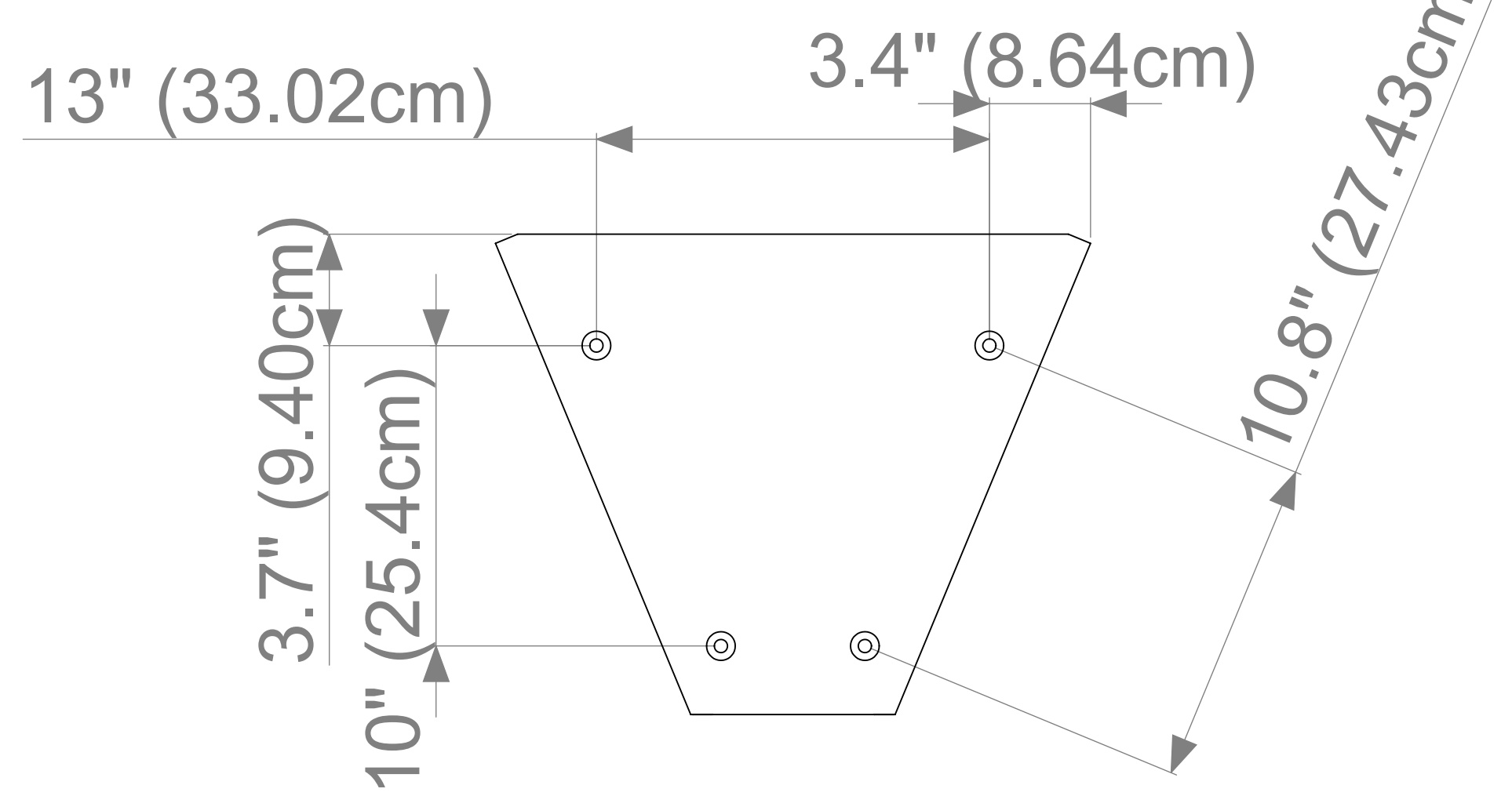
REVISIONS				
REV.	ECO NO.	DESCRIPTION	DATE	APPROVED
A		RELEASED	08072015	RDJ



● = CENTER OF GRAVITY



3/8"-16 THREADED HOLE 16 PLCS
USE FOR SUSPENDING



THE INFORMATION IN THIS DOCUMENT IS THE PROPERTY OF KLIPSCH L.L.C. AND CONTAINS PROPRIETARY AND CONFIDENTIAL INFORMATION. THIS DOCUMENT IS GIVEN FOR THE PURPOSE OF QUOTATION OR PROCUREMENT AND THE INFORMATION CONTAINED HEREIN SHALL NOT BE DISCLOSED TO OTHERS, OR BE REPRODUCED FOR ANY OTHER PURPOSE WITHOUT THE EXPRESS WRITTEN CONSENT OF KLIPSCH L.L.C.

TOLERANCES UNLESS OTHERWISE SPECIFIED		DO NOT SCALE	
DECIMAL	.XXX ± .020	APPROVALS	
FRACTION	± 1/64	SIGNATURES	DATE
ANGLE	± 1°	ORIGINATOR:	
FINISH		CHECKER:	
		ENGINEER:	RDJ 08072015
		MFG ENG:	
		REVISED BY:	

WHERE USED

MATERIAL SPECIFICATIONS

Klipsch
AUDIO TECHNOLOGIES
137 COUNTY ROAD # 278
HOPE, AR 71801

TITLE: **KI-362-SMA-II ARCH DRAWING**

DWG. NO. **D105037**

SCALE: N/A SHEET: 1 OF 1