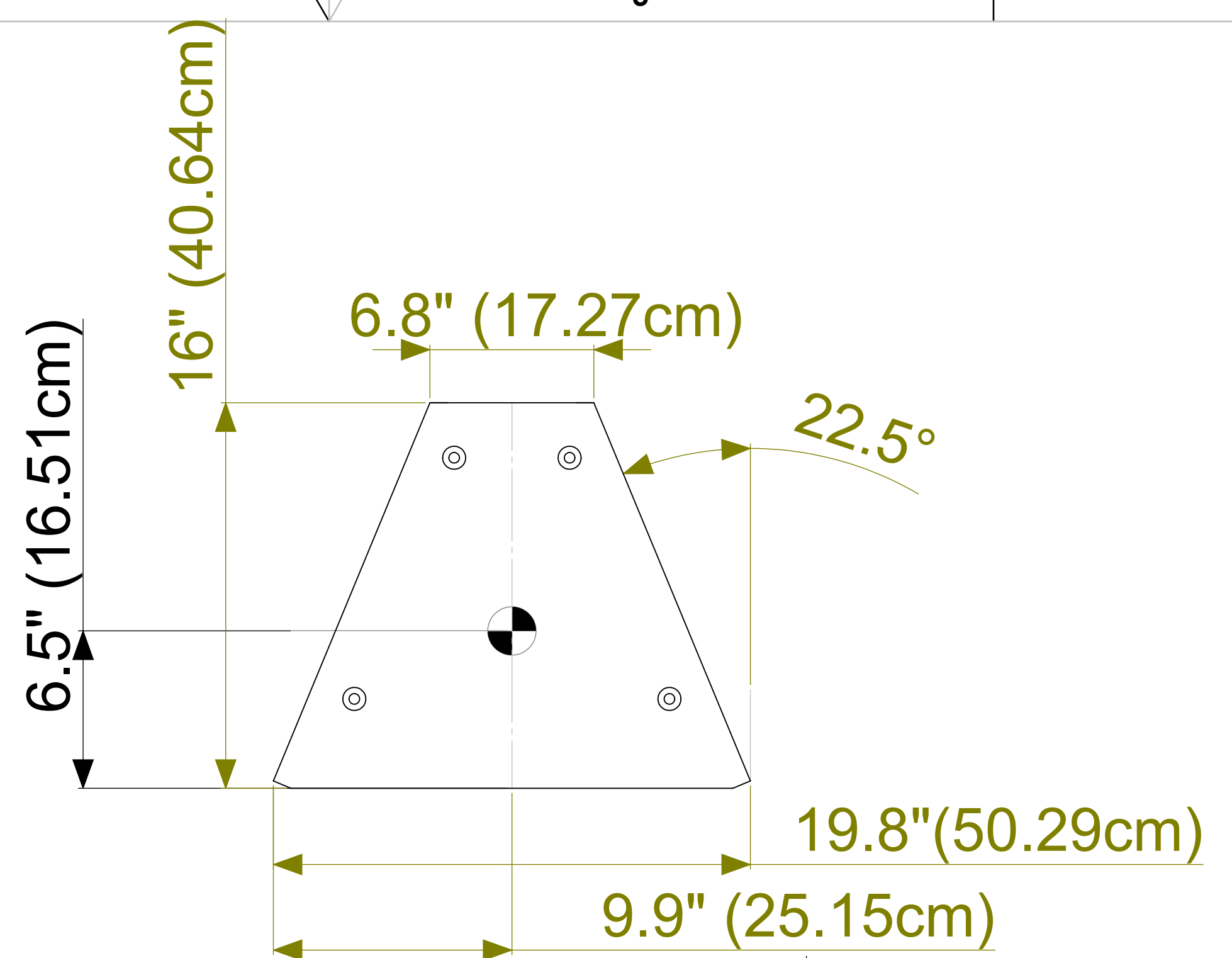
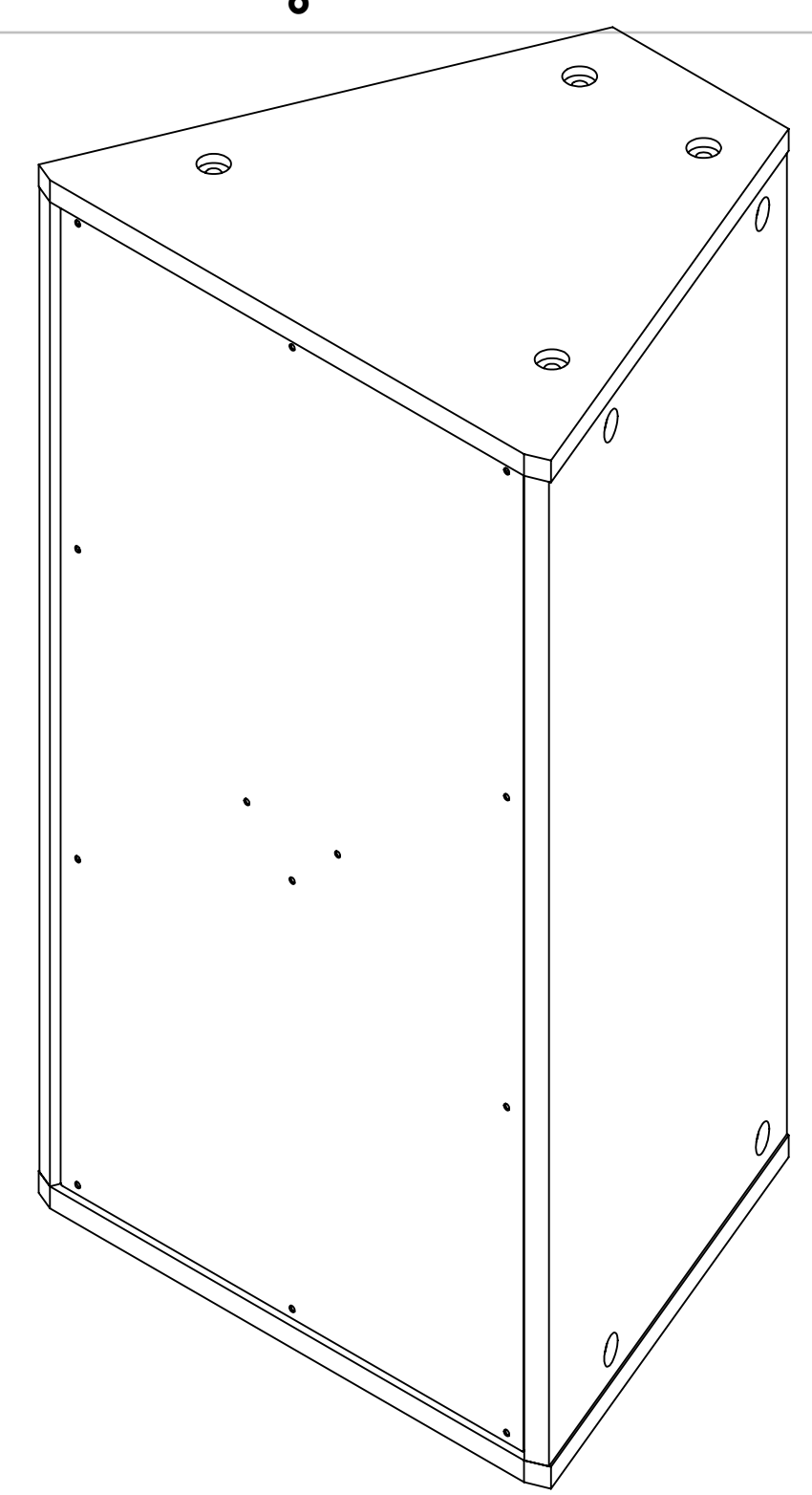
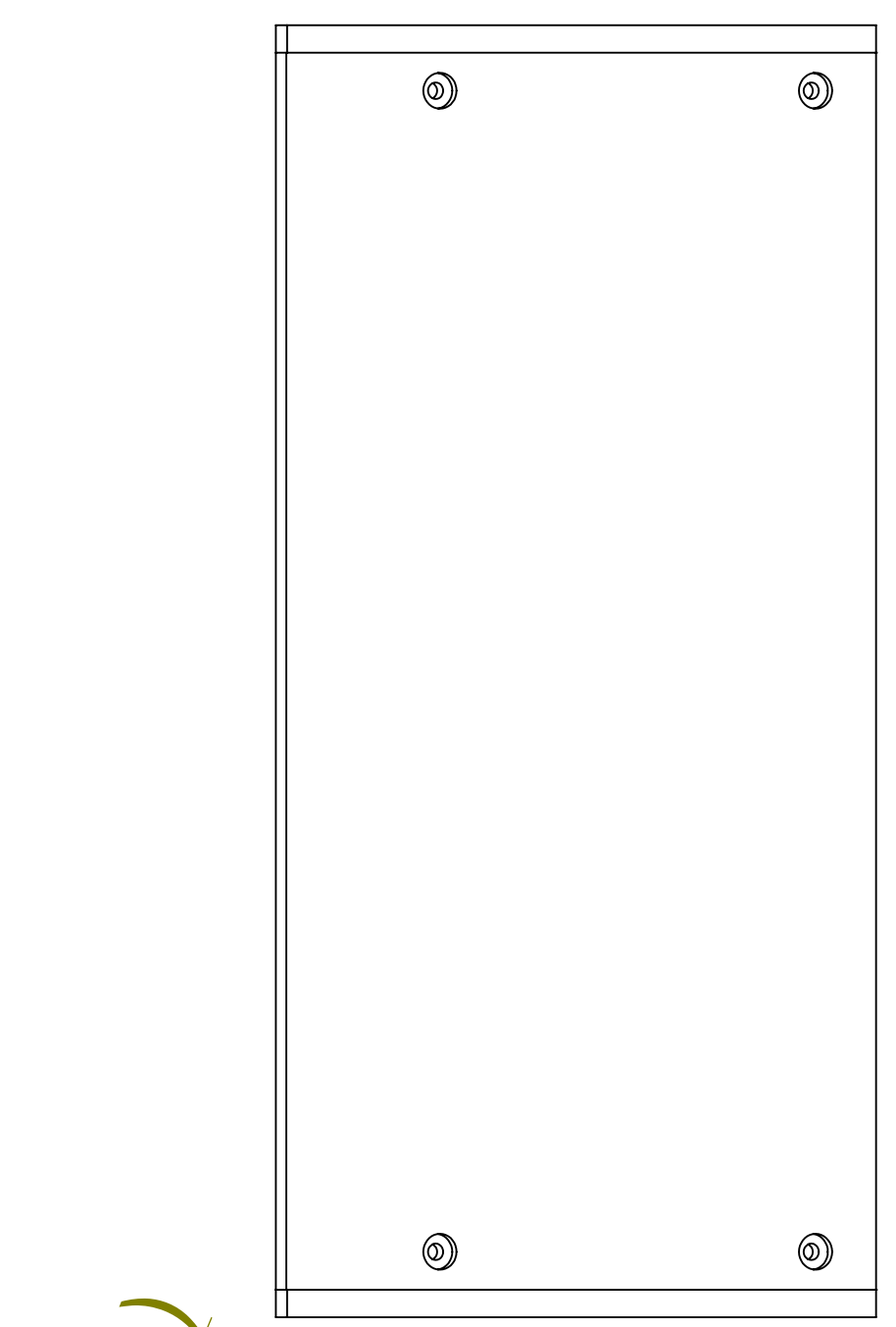
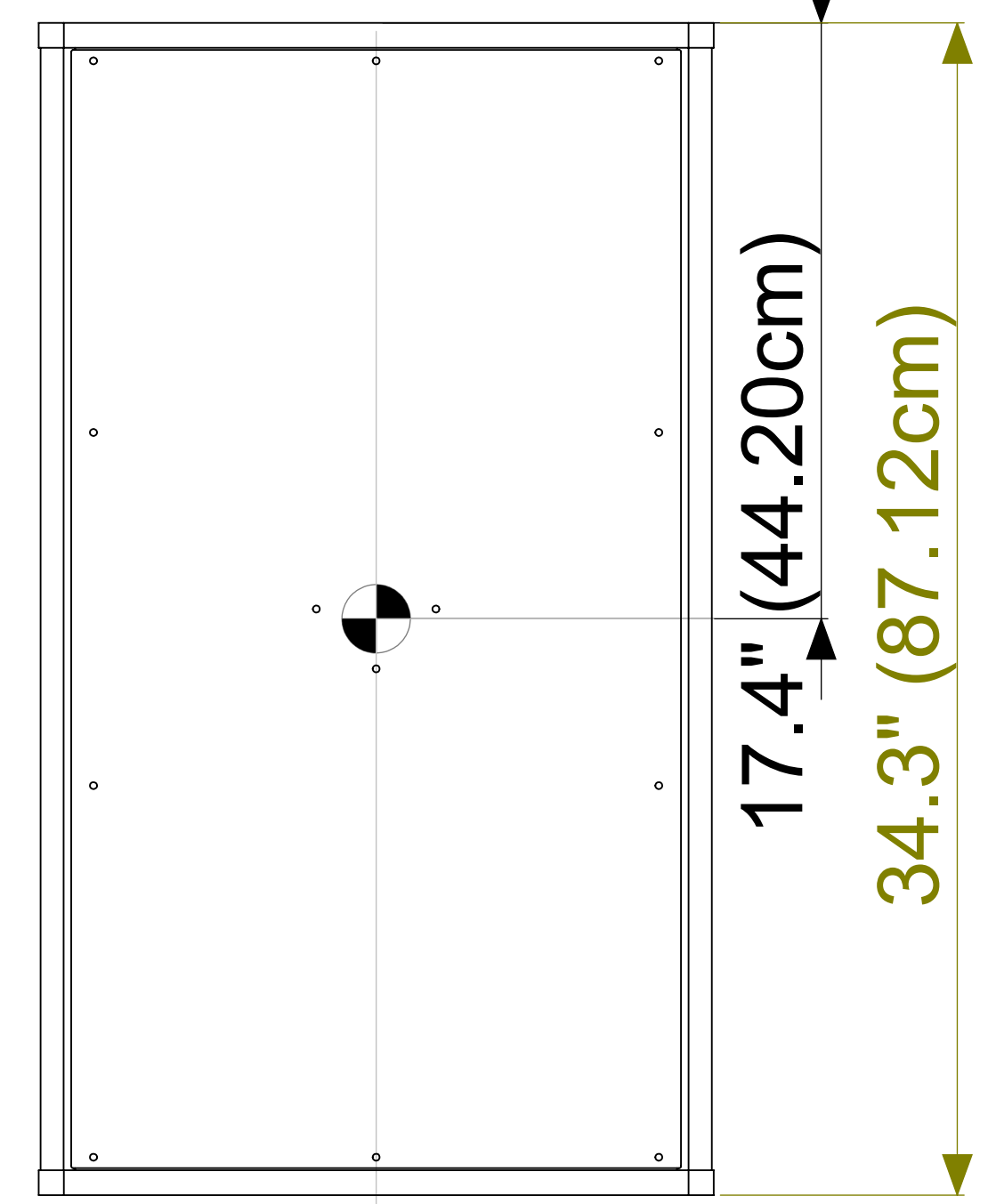
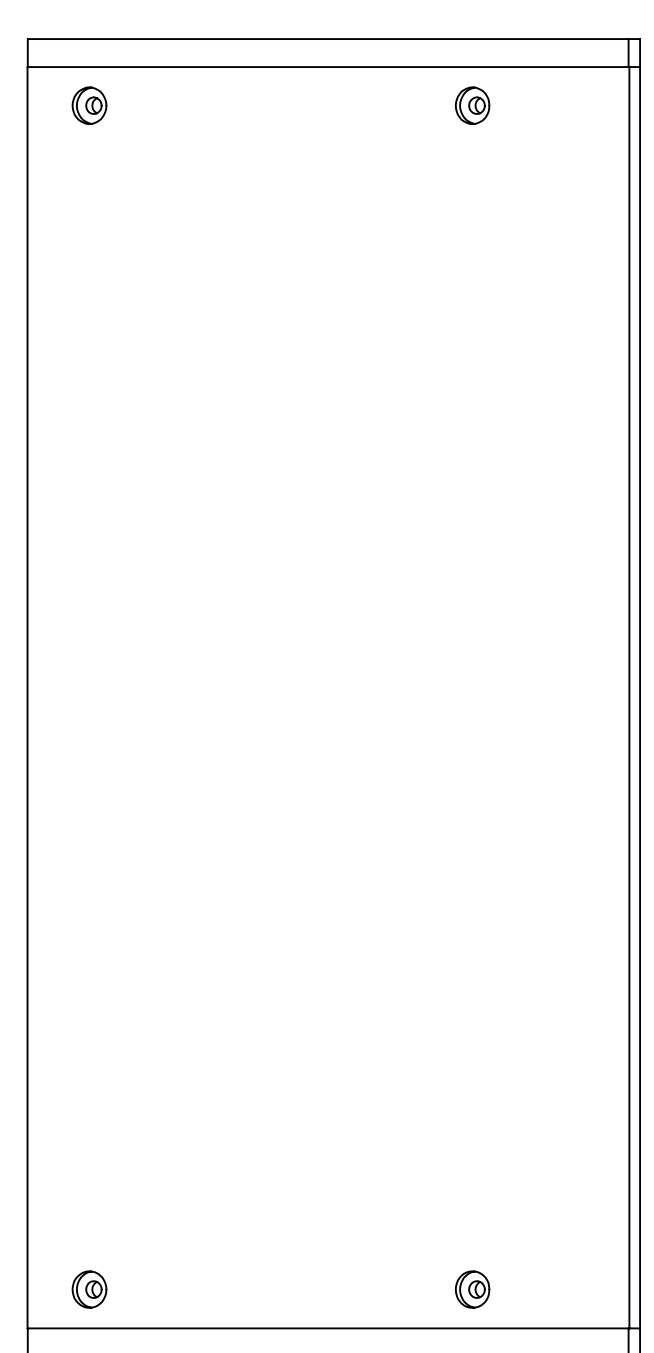
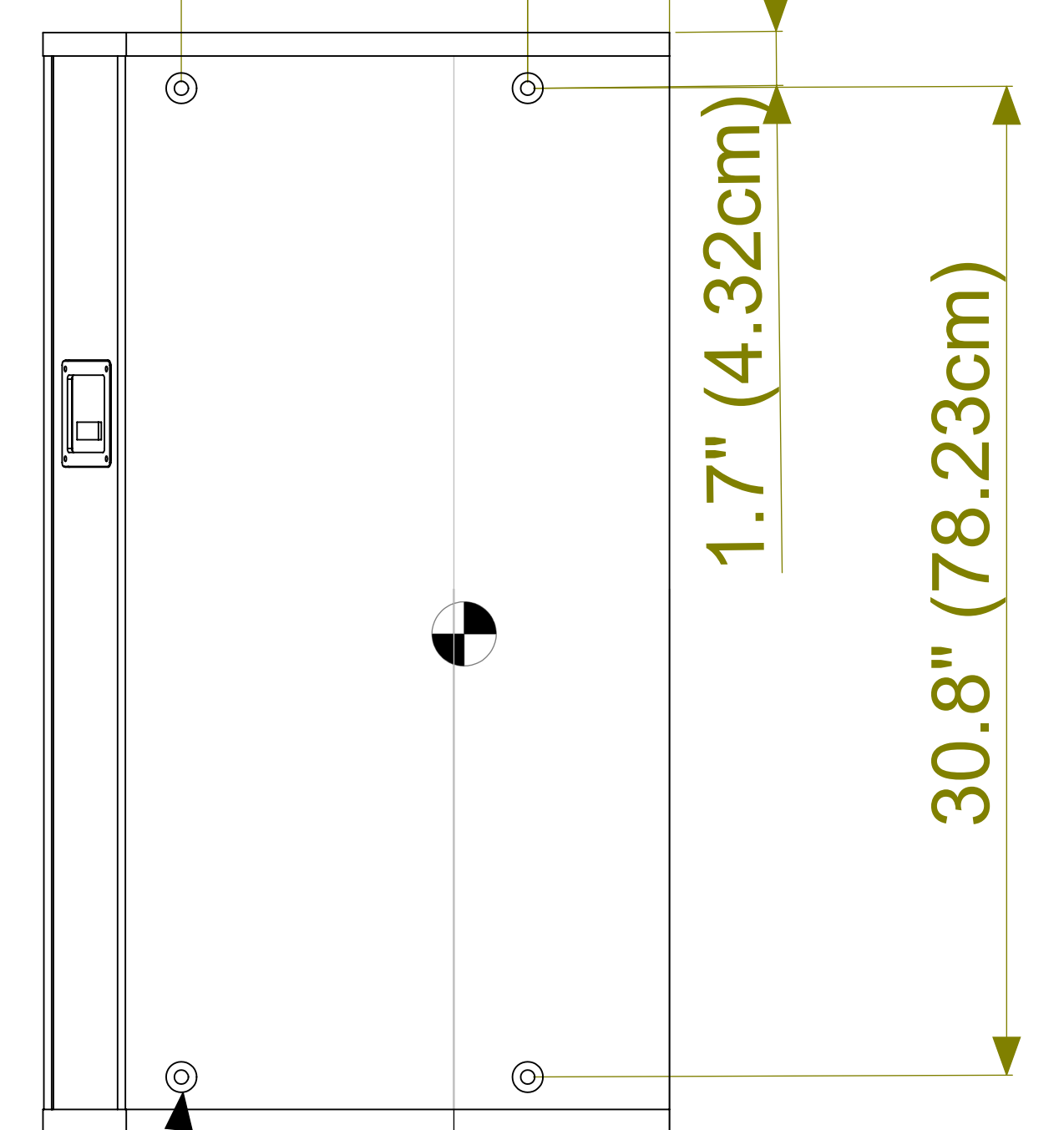
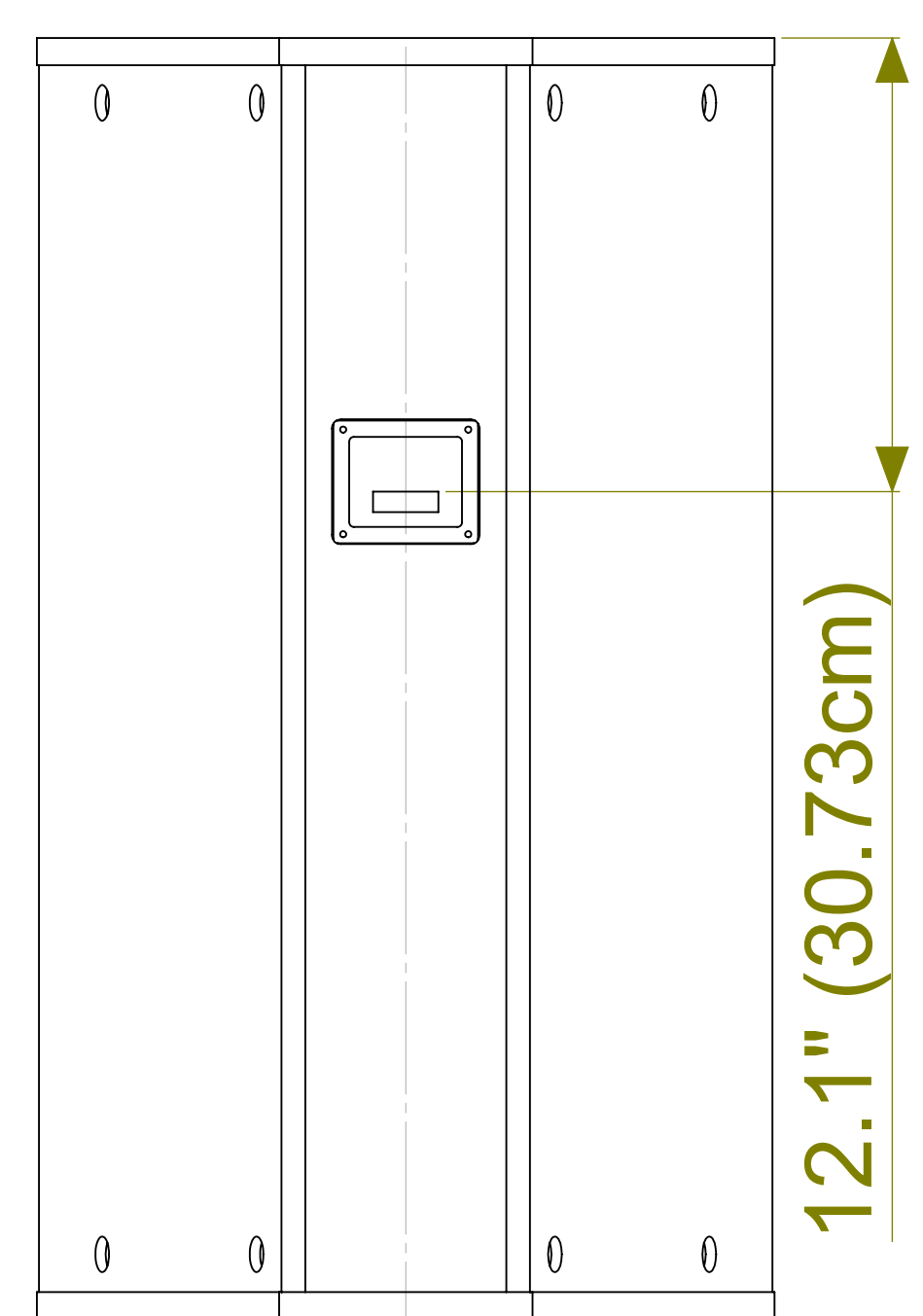


| REVISIONS |         |             |          |          |
|-----------|---------|-------------|----------|----------|
| REV.      | ECO NO. | DESCRIPTION | DATE     | APPROVED |
| A         |         | RELEASED    | 08072015 | RDJ      |



● = CENTER OF GRAVITY



10.8" (27.43cm)  
4.4" (11.18cm)

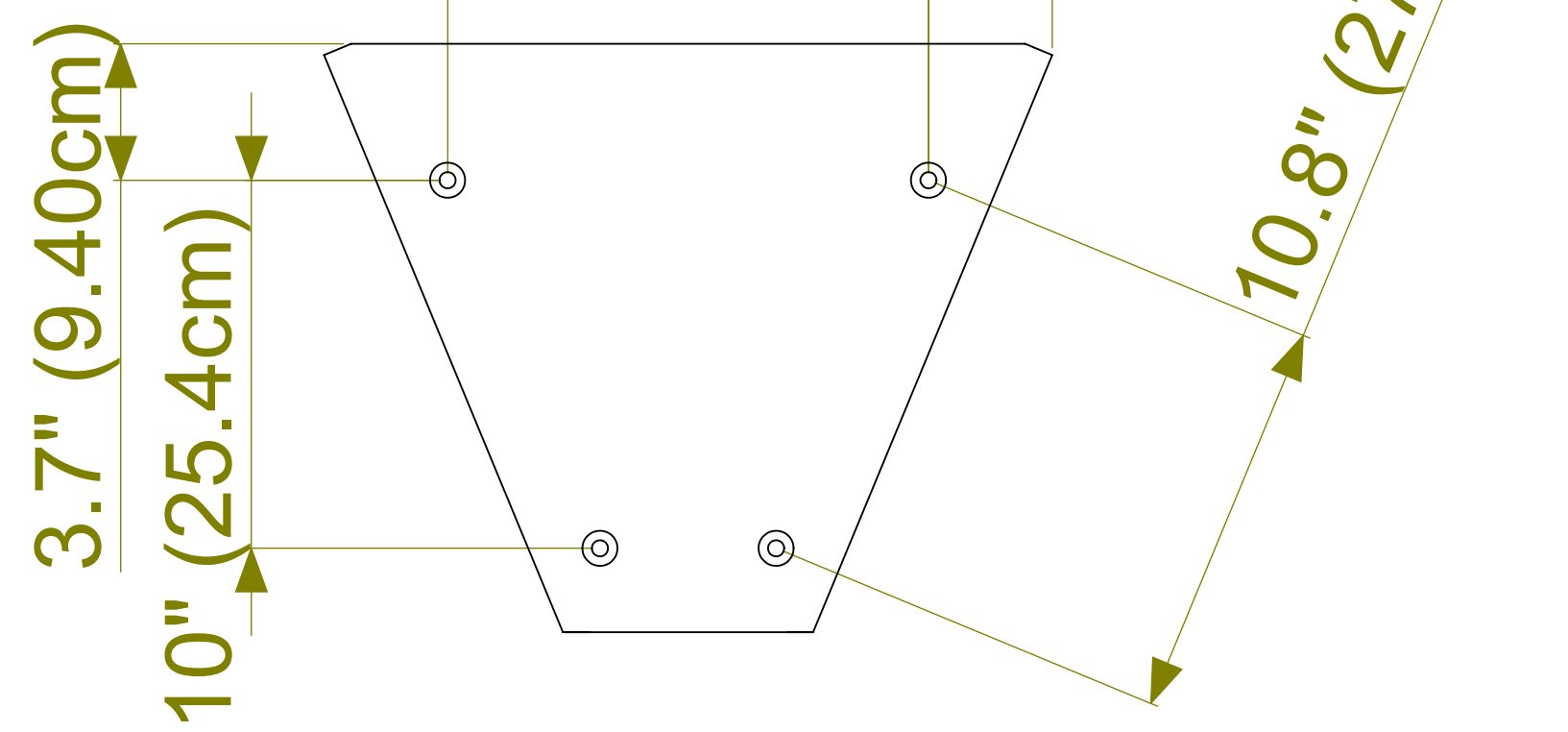
17.4" (44.20cm)  
34.3" (87.12cm)

6.7" (17.02cm)

13" (33.02cm)

3.4" (8.64cm)

3/8"-16 THREADED HOLE 16 PLCS  
USE FOR SUSPENDING



THE INFORMATION IN THIS DOCUMENT IS THE PROPERTY OF KLIPSCH L.L.C. AND CONTAINS PROPRIETARY AND CONFIDENTIAL INFORMATION. THIS DOCUMENT IS GIVEN FOR THE PURPOSE OF QUOTATION OR PROCUREMENT AND THE INFORMATION CONTAINED HEREIN SHALL NOT BE DISCLOSED TO OTHERS, OR BE REPRODUCED FOR ANY OTHER PURPOSE WITHOUT THE EXPRESS WRITTEN CONSENT OF KLIPSCH L.L.C.

| WHERE USED | DATE |
|------------|------|
|            |      |

| TOLERANCES UNLESS OTHERWISE SPECIFIED |
|---------------------------------------|
| DECIMAL                               |
| .XXX ± .020                           |
| FRACTION                              |
| ± 1/64                                |
| ANGLE                                 |
| ± 1°                                  |
| FINISH                                |
| 32 [0.8]                              |

| DO NOT SCALE  |          |
|---------------|----------|
| APPROVALS     |          |
| SIGNATURES    | DATE     |
| ORIGINATOR:   |          |
| CHECKER:      |          |
| ENGINEER: RDJ | 08072015 |
| MFG ENG:      |          |
| REVISED BY:   |          |

**Klipsch**  
AUDIO TECHNOLOGIES  
137 COUNTY ROAD # 278  
HOPE, AR 71801

**KI-396-SMA-II ARCH DRAWING**

DWG. NO. D105042  
SCALE: N/A SHEET: 1 OF 1