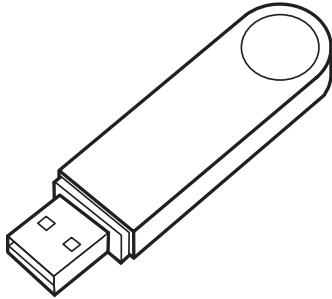


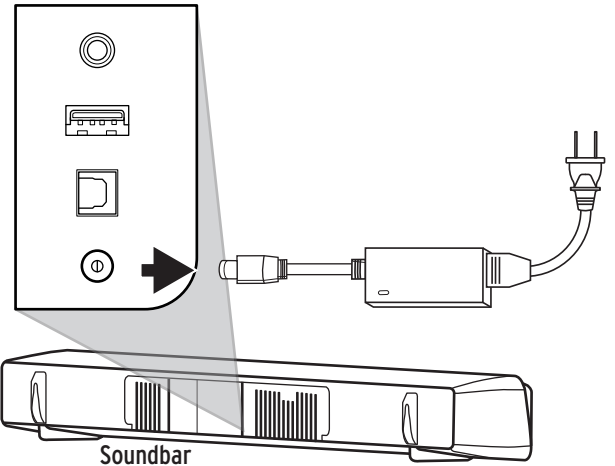
RSB-11 SOUNDBAR FIRMWARE UPDATE INSTRUCTIONS **Klipsch** REFERENCE

These instructions apply to RSB-11 Soundbars with the Serial Numbers **1063117164500001** and above

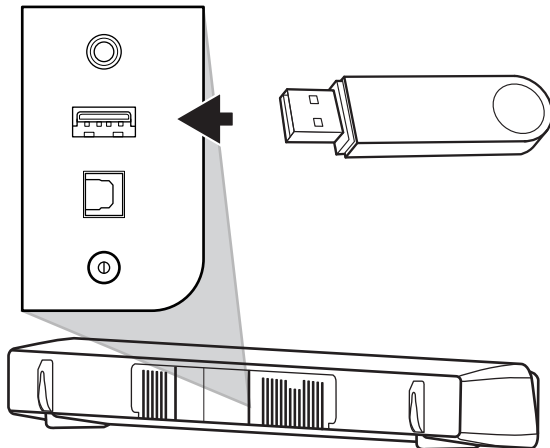
- 1** Copy the "rsb11.hex" file and the "csr11b.ybin" file to an empty USB flash drive.



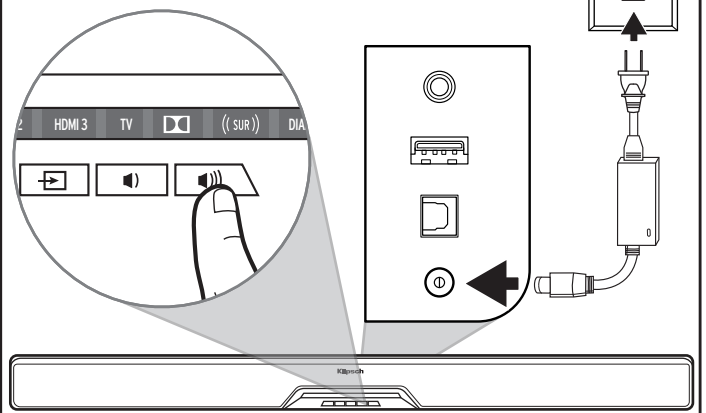
- 2** Unplug the power cord from the Soundbar.



- 3** Insert the USB drive into the USB port on the rear of the Soundbar.

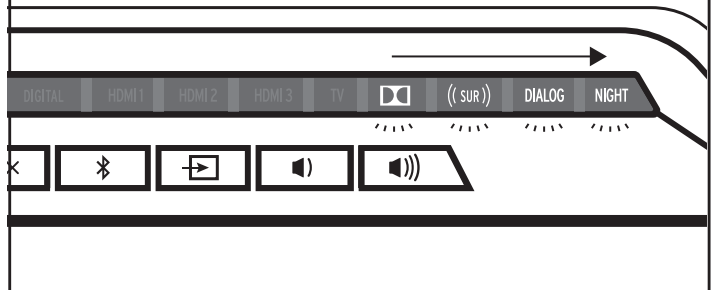
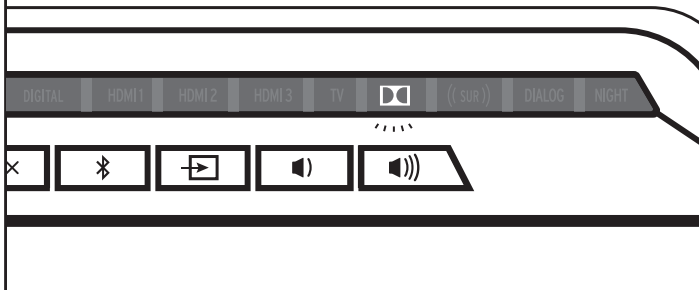


- 4** Press and hold the Vol+ key on the Soundbar, then plug in the power cord (while still holding the Vol+ key).



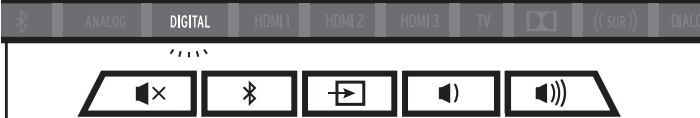
- 5** The Dolby Digital LED will light up when the MCU firmware update has started and you can release the Vol+ key.

- 6** As the update installs - the Virtual Surround Mode LED will light up, then the Dialog LED, then the Night Mode LED. All LED's will turn off when the update is complete and the unit will power down.



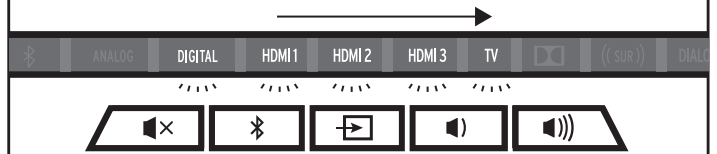
RSB-11 SOUNDBAR FIRMWARE UPDATE INSTRUCTIONS **Klipsch** REFERENCE

7 Wait momentarily, and the Digital LED will light up indicating that the DSP firmware installation has begun.

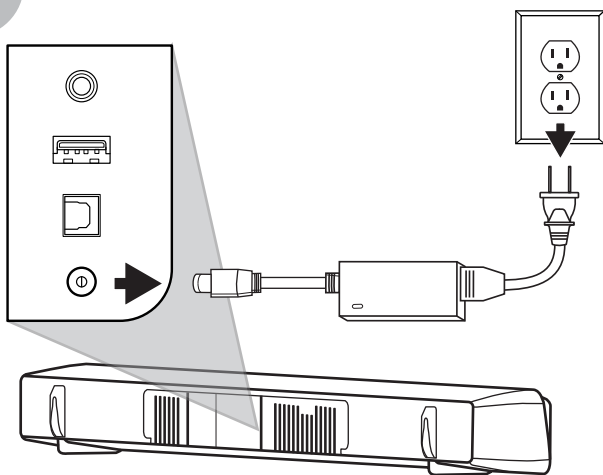


8 As the update installs - the HDMI1 LED will light up, then the HDMI2 LED, then the HDMI3 LED, then the TV LED.* Once the update is complete, all LED lights will shut off.

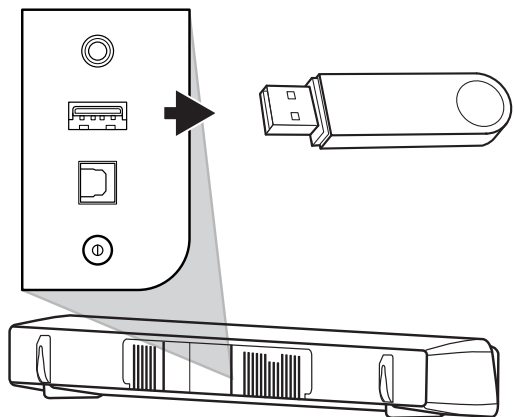
**The Bluetooth LED will light if the update has failed*



9 Unplug the power cord.



10 Remove the USB flash drive. Your Soundbar firmware is now up to date and your Soundbar should operate normally.



Problems or questions?

Enter this url into your web browser -

<http://support.klipschgroupinc.com/>

...and click on the "Open a New Ticket" button.

 **Open a New Ticket**

