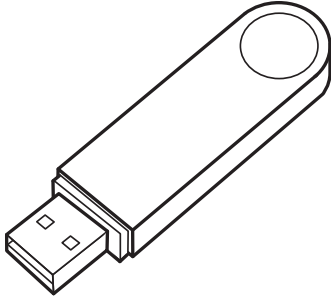


RSB-8 SOUND BAR FIRMWARE UPDATE INSTRUCTIONS **Klipsch** REFERENCE

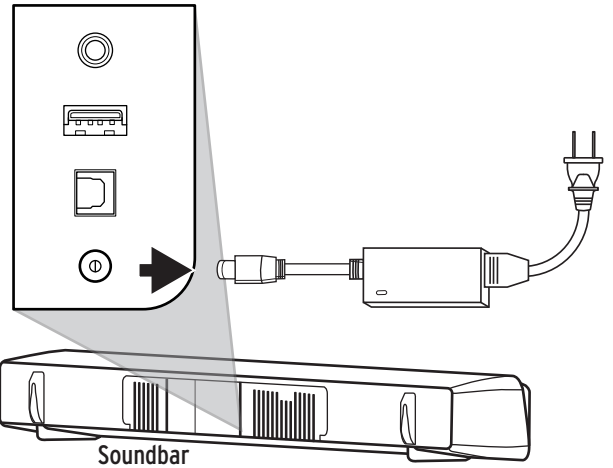
1

Copy the ".mdu" update file to an empty USB flash drive.



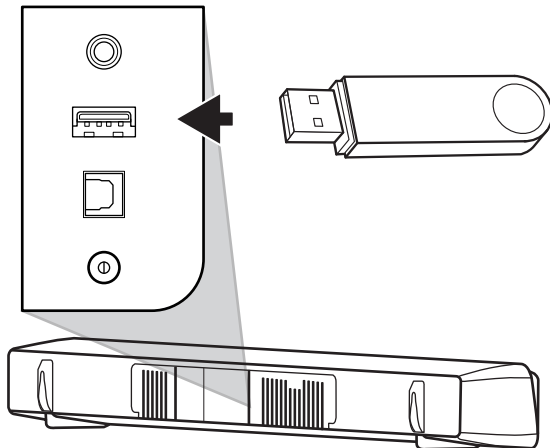
2

Unplug the power cord from the sound bar.



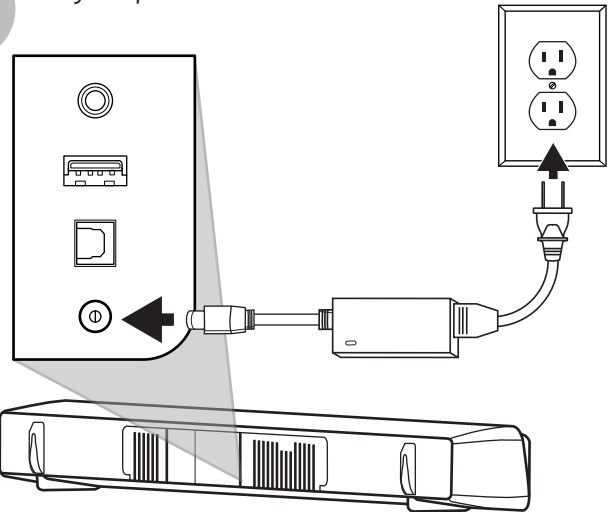
3

Insert the USB drive into the USB port on the rear of the sound bar.



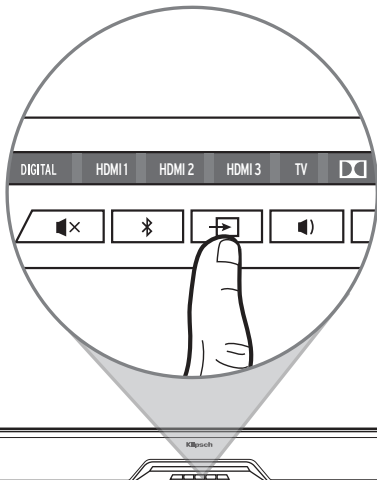
4

Plug the power cord into the sound bar.



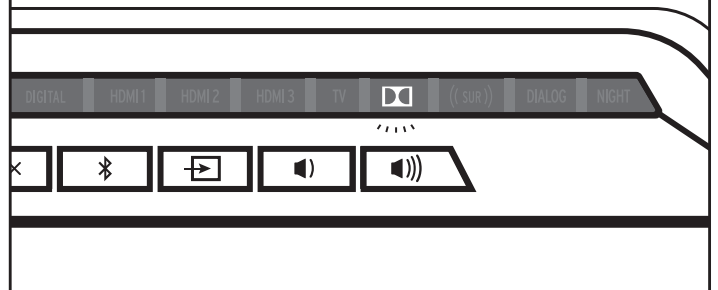
5

Press the source key to begin the firmware update.



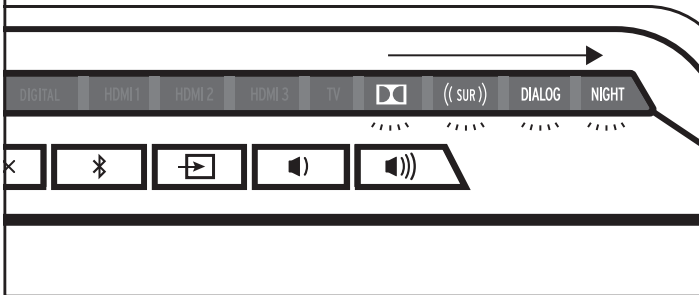
6

The Dolby Digital LED will light up when the firmware update has started.

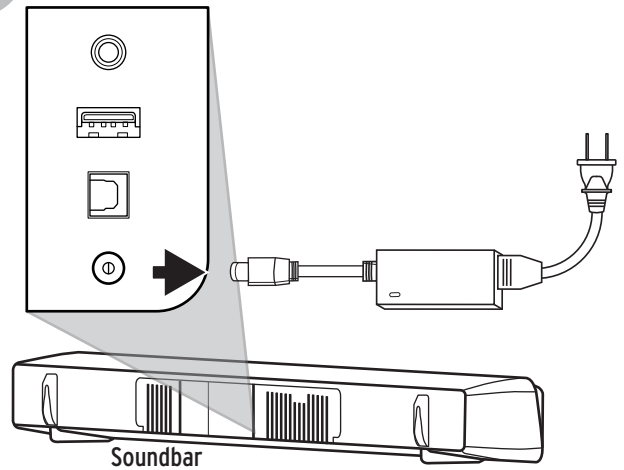


RSB-8 SOUND BAR FIRMWARE UPDATE INSTRUCTIONS **Klipsch** REFERENCE

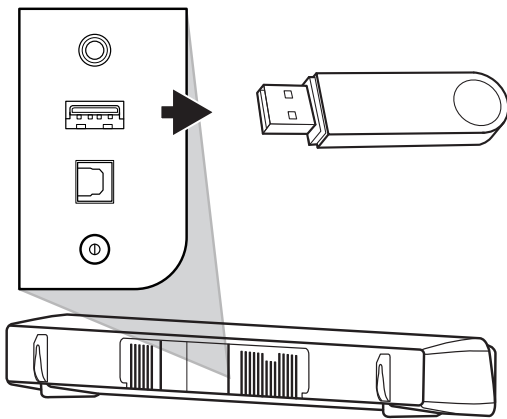
- 7** As the update installs - the Virtual Surround Mode LED will light up, then the Dialog LED, then the Night Mode LED. The update will be complete once all 4 LED's are lit.



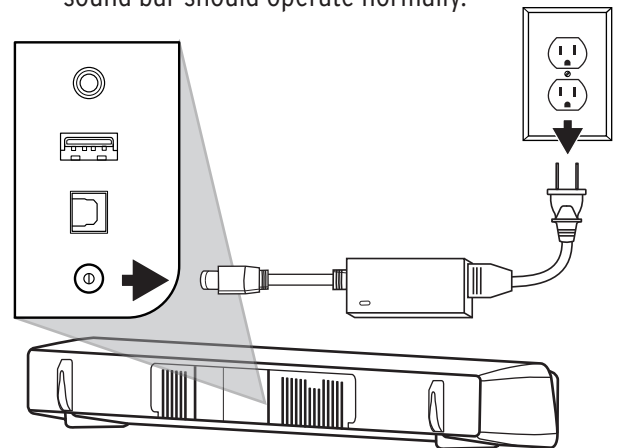
- 8** Unplug the power cord from the sound bar.



- 9** Remove the USB flash drive from the sound bar.



- 10** Plug the power cord into the sound bar. Your sound bar firmware is now up to date and your sound bar should operate normally.



Problems or questions?

Enter this url into your web browser -

<http://support.klipschgroupinc.com/>

...and click on the "Open a New Ticket" button.

 **Open a New Ticket**

