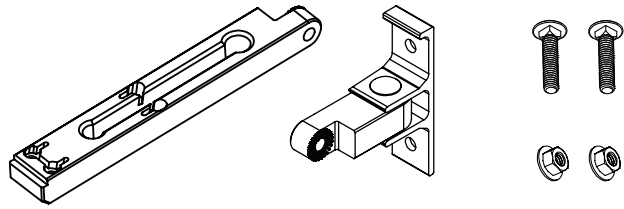


## INSIDE



Satellite Mount Arm

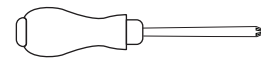
Wall Mount Bracket

Bolts and Nuts

## TOOLS REQUIRED

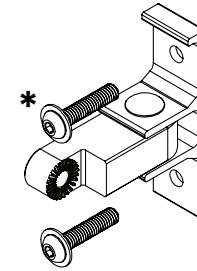


1/2" Socket Wrench



#2 Phillips Screwdriver

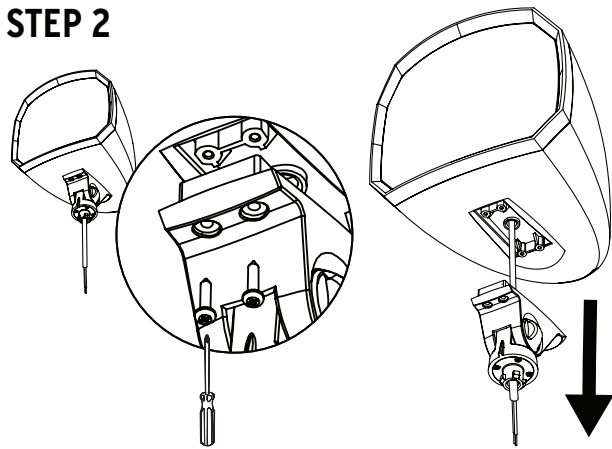
## STEP 1



\*Mounting Bolts  
Not Included

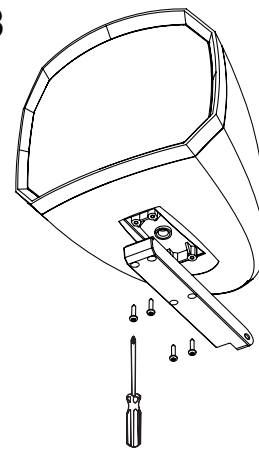
Attach mount bracket to structure using appropriate hardware (5/16" lag bolts recommended for installation on wood structures).

## STEP 2



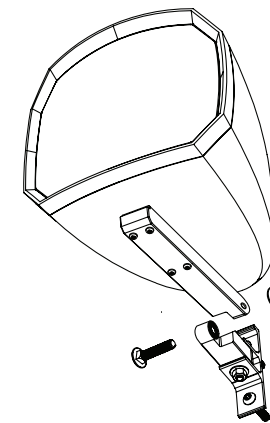
Remove stake lock collar from bottom of satellite as shown, by removing 4 screws holding it in place, then gently pulling off of wire. Do not discard screws.

## STEP 3



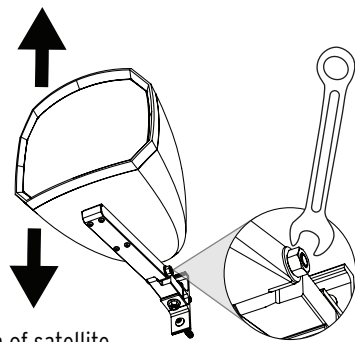
Attach speaker arm to bottom of speaker using screws from stake collar. Be careful not to overtighten.

## STEP 4



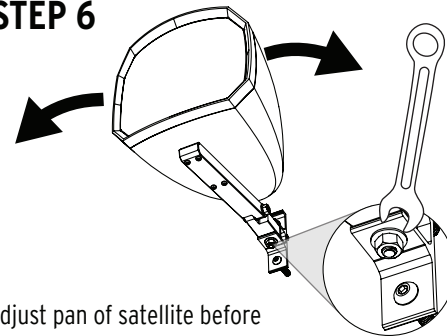
Attach the satellite mount arm to the wall mount bracket using the included bolt and nut.

## STEP 5



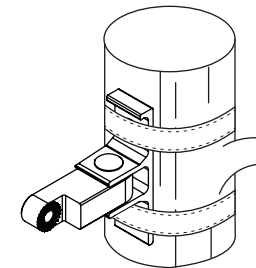
Adjust pitch of satellite before tightening bolt.

## STEP 6

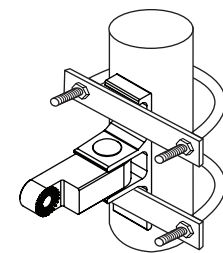


Adjust pan of satellite before tightening nut on bottom of wall mount bracket

## RECOMMENDED THIRD PARTY ACCESSORIES



1" tree Strap for tree mounting (2)



Square U-Bolt for pole mounting (2)