

KPT-418-SW

SINGLE 18-INCH SUBWOOFER FOR SMALL TO MEDIUM VENUES



Klipsch®

KLIPSCH PROFESSIONAL | CINEMA | DATA SHEET

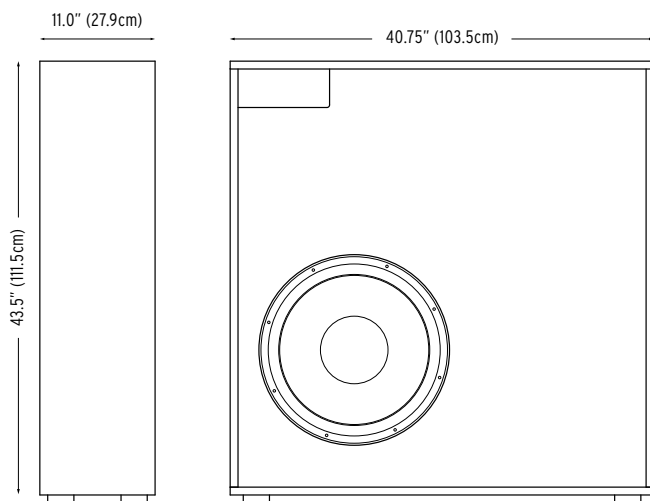


PRODUCT OVERVIEW

The low-profile Klipsch KPT-418-SW high-output cinema subwoofer system uses a single 18-inch driver mounted in a bass reflex enclosure to accurately deliver the earth-shaking effects of today's most demanding movie soundtracks.

With a depth of only 11 inches, the KPT-418 is even more compact than other cinema subwoofers, with greater output and great placement flexibility. It can be used as the main subwoofer system in a small auditorium, or as the subwoofer for surrounds in small- to medium-sized auditoriums.

Built from the inside out for performance and durability, the KPT-418 packs a lot of substance into a cinema sound system. Its true bottom-end performance along with high-power handling capability and high efficiency allows audiences to hear as well as feel the impact of edge-of-your-seat entertainment.



DESIGNED AND MADE IN THE USA USING DOMESTIC AND IMPORTED COMPONENTS

In 1946, Paul W Klipsch, genius & maverick, hand-built his first loudspeaker in a tin shed with the intention of bringing live music into his living room. Remember great sound? We do, too. Today, Klipsch's cinema series speaker enclosures are made in the USA, by proud craftsmen in Hope, Arkansas. Just like PWK intended.

SPECIFICATIONS

FREQUENCY RESPONSE¹ (+/- 3 dB)	38Hz-150Hz +/- 3dB (-10dB @ 26Hz)
POWER HANDLING²	600 watts (47V) 2400 watts peak
MAXIMUM SPL³	125 dB Continuous 131 dB Peak
SENSITIVITY⁴	101dB
NOMINAL IMPEDANCE	8 ohms (3.6 min. @ 24Hz)
COMPONENTS	One K-49-EP2 18" woofers
INPUT CONNECTION	Two point barrier strip
ENCLOSURE MATERIAL	3/4" MDF cabinet 1" MDF motorboard
HEIGHT	43.5" (111.5cm)
WIDTH	40.75" (103.5cm)
DEPTH	11.0" (27.9cm)
WEIGHT	119lbs (54kg)
ITEM NUMBER	097155011313

RECOMMENDED MINIMUM AMPLIFIER POWER

	KPT-418-SW
AMP POWER RATING	1200 watts into 4 ohms

- 1 3M, Half-spaced anechoic
- 2 AES standard, continuous pink noise, 6 dB peaks
- 3 Calculated at 1M half-spaced at power handling power input
- 4 SPL at 1M, half-spaced anechoic with 2.83V input